

INSTRUCTION MANUAL ZweiL SERIES PUSH KNOB ZL-1908

Thank you for purchasing our products.
Please read all instruction carefully for proper installation.

⚠ CAUTION

- Sugatsune will not be liable for any injuries or damages due to improper application or use on a door that is not within proper specification, or by disassembling / customization.

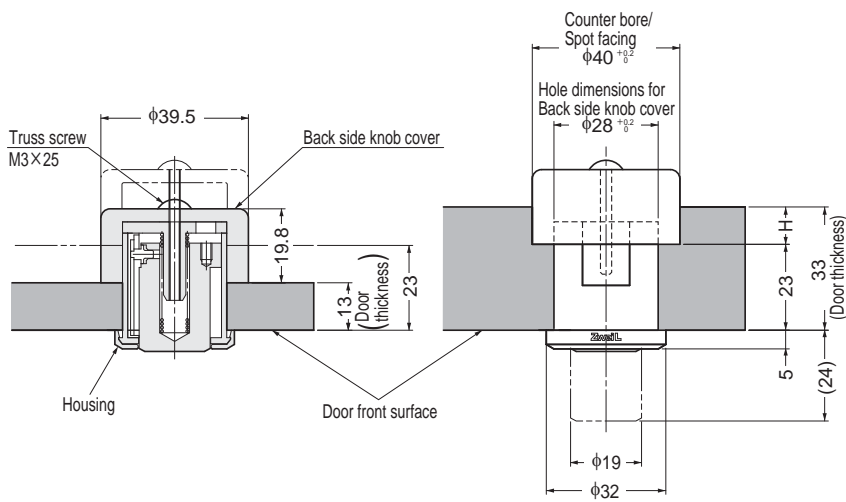
■ Parts Description (All parts are already assembled.)

- Housing 1 pc.
- Back side knob cover 1 pc.
- Truss screw M3 X 25 1 pc.

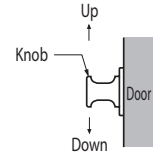
■ Specifications

(Unit : mm)

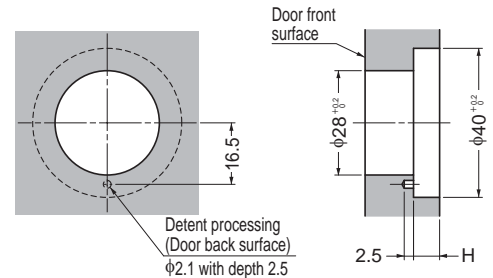
Door thickness : 13~33 mm



■ Side Elevation



■ Installation Hole Processing (Unit : mm)



Door thickness	H: Counterbore/spot facing depth
13~23	H=0 (φ28 penetration hole)
24~33	H=Door thickness-23 (from door back surface)

■ Installation Procedure

- 1 Bore the hole in the specified location on the door. (Refer to Installation Hole Processing.)
Be sure to clean up wood debris and all dirt before installation.
- 2 Take off the assembled truss screw, and tear all parts down.
Push in the housing from the front surface of door.
- 3 Push in the back side knob cover from the back surface of door after positioning the detent jut directly underneath.
- 4 Fix the center of back side knob cover by truss screw M3 X 25.
(Recommendable fastening torque : 4kgf·cm).
Fastening tighter than necessary may cause damage.

■ How To Use

A single push of the knob head will conceal it.
Another push will unlock the knob.

SUGATSUNE KOGYO CO.,LTD
Tokyo, JAPAN
Phone: +81 (0)3 3866 2260 E-mail:export@sugatsune.co.jp

SUGATSUNE KOGYO (UK) LTD
Reading, UK
Phone: +44 118 9272 955 E-mail:sales@sugatsune.co.uk

SUGATSUNE EUROPE GmbH
Düsseldorf, GERMANY
Phone: +49 211 53812900 E-mail:sales@sugatsune.eu

SUGATSUNE SHANGHAI Co., LTD
Shanghai, CHINA
Phone: +86 21 3632 1858 E-mail:lamp@sugatsune.com.cn

Guangzhou, CHINA
Phone: +86 20 6639 3552 E-mail:lamp@sugatsune.com.cn

SUGATSUNE KOGYO INDIA PRIVATE LIMITED
Mumbai, INDIA
Phone: +91 22 28314490/91 E-mail:sales@sugatsune.in

SUGATSUNE AMERICA, INC
California, USA
Phone: +1 310 329 6373 E-mail:sales@sugatsune.com

Chicago, USA
Phone: +1 312 461 1081 E-mail:chicagoshowroom@sugatsune.com

SUGATSUNE CANADA, INC.
Phone: +1 514 312 5267 E-mail:support@sugatsune.ca