

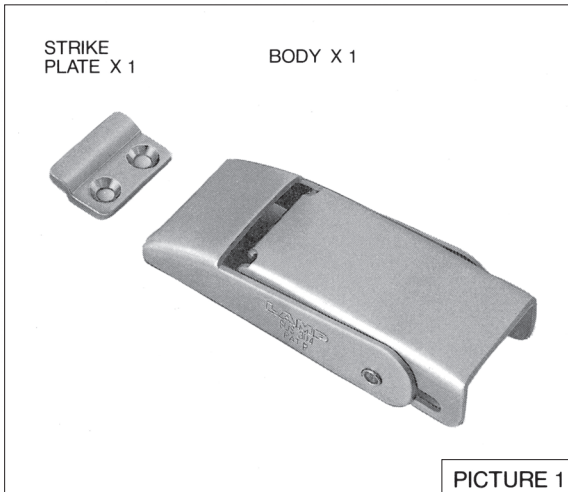
**LAMP®**

# STF-80

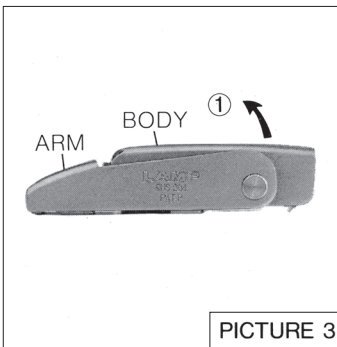
**DRAW LATCH (SPRING LOADED)**

## INSTALLATION INSTRUCTION

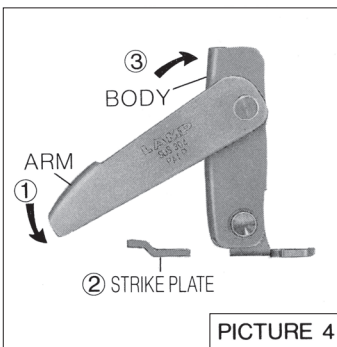
Please read instruction sheet carefully and thoroughly for proper installation.

**■ The parts described below are for one fastener.**

Note: Installation screws are not enclosed. Please prepare 4 pcs M4 flat head screw separately.

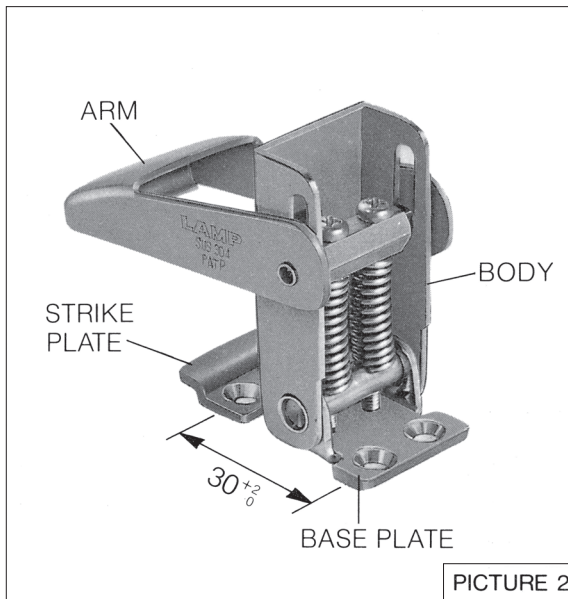
**■ How to operate**

To release open:  
Lift up body.

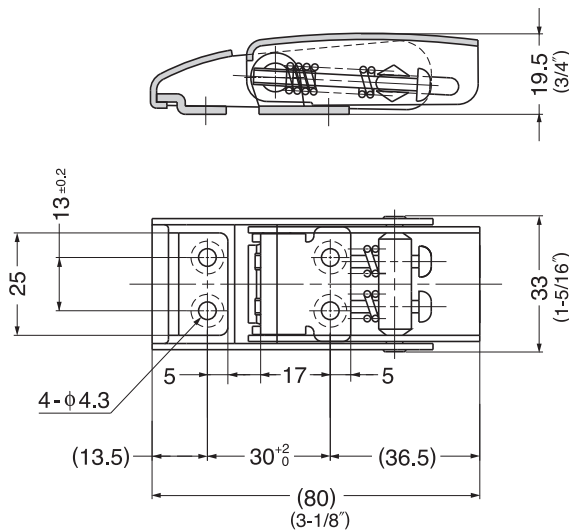


To fasten:  
Hook arm ① on to strike plate ② properly. Pull and push down body ③.

Note:  
Do not push body down when arm is not hooked on to strike plate properly as it may damage the product.

**■ PARTS DESCRIPTION****■ How to mount**

Place strike plate and base plate at the right positions, referring to the above picture, and mount them with the installation screws. Make sure of the 32<sup>+2</sup> mm (1.18"–1.26") distance between hole centers of strike plate and base plate to secure proper installation.

**■ Specifications**

Material: 18-8 stainless steel

Finish : Satin

Note: Do not exceed 6 kgs. (13 lbs.) of push down force.

**SUGATSUNE KOGYO CO.,LTD.**  
Tokyo, JAPAN  
Phone: +81 (0)3 3866 2260  
E-mail: export@sugatsune.co.jp

**SUGATSUNE KOGYO (UK) LTD.**  
Reading, UK  
Phone: +44 118 9272 955  
E-mail: sales@sugatsune.co.uk

**SUGATSUNE EUROPE GmbH**  
Düsseldorf, GERMANY  
Phone: +49 211 53812900  
E-mail: info@sugatsune.eu

**SUGATSUNE KOGYO INDIA PRIVATE LIMITED**  
Mumbai, INDIA  
Phone: +91 22 28314490/91  
E-mail: sales@sugatsune.in

**SUGATSUNE SHANGHAI Co., LTD.**  
Shanghai, CHINA  
Phone: +86 21 3632 1858  
E-mail: lamp@sugatsune.com.cn

**Guangzhou, CHINA**  
Phone: +86 20 6639 3552  
E-mail: lamp@sugatsune.com.cn

**SUGATSUNE AMERICA, INC.**  
California, USA  
Phone: +1 310 329 6373  
E-mail: sales@sugatsune.com

**Chicago, USA**  
Phone: +1 312 461 1081  
E-mail: chicagoshowroom@sugatsune.com