

LAMP® FD35EV SLIDING DOOR SYSTEM Installation Manual (Ceiling Mount Type for Pocket Door, with Dual Soft Close)

Thank you for selecting our product. Before starting installation, please read this manual thoroughly to ensure correct installation. Please keep this manual at hand for future reference.

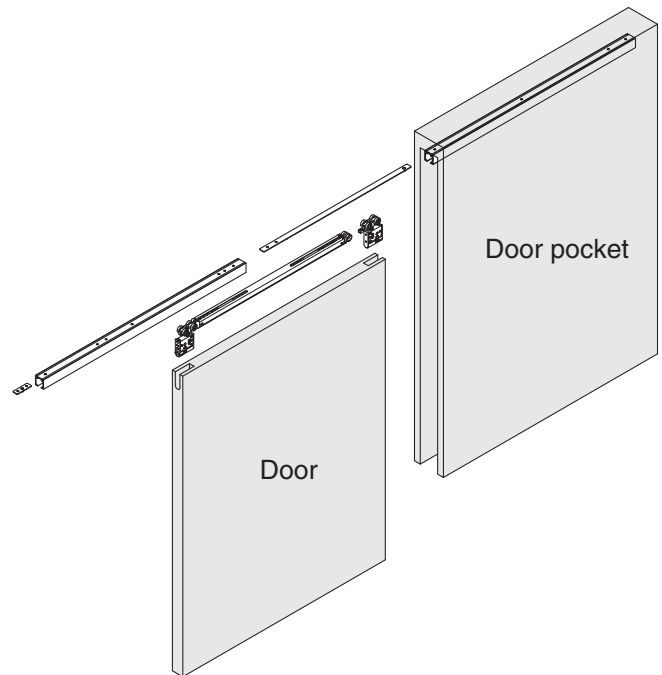
ABOUT THE PRODUCT

- This is the door hardware for sliding door system in stores, public facilities and residence.
- The door closes in 2 step sequential soft motion; first slow, then fast, and opens with 1 step soft motion.
- The track can be divided for easy maintenance after installing.

SPECIFICATIONS

Door width	590 – 1200 mm
Max. Door height	2400 mm
Min. Door thickness	30 mm
Max. Door weight	35 kg/door

- The closing speed of the soft closing type door may change due to ambient temperature, operating method or installation quality.
- Recommended ambient temperature range is 5 to 40 degrees centigrade.



FOR YOUR SAFE WORK AND CORRECT INSTALLATION

Meaning of symbols

 Warning Caution	 Prohibited	 Required
---	---	---

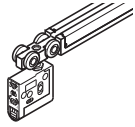


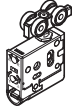
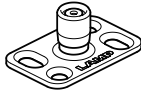
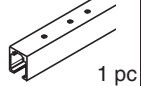
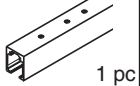
WARNING: If these warnings are not followed, it may result in death or serious injury.

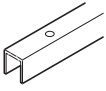
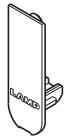
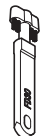
- ❗ This (sliding door system) should be installed by an experienced person who has correct knowledge. If the system is not installed correctly, the door will not operate smoothly, and or may cause injury.
- ❗ It is necessary to manufacture the frame with sufficient strength so it endures the weight of the door and impact shocks upon opening/closing the door. Also make sure to only use the designated screws and to fasten them firmly. A frame with poor strength or loose screws might result in improper and slower movement of the door. In the worst case, the door might drop down and cause injury.
- ⊘ Do not try to use this product for any other purposes other than originally intended for. Do not use the parts for applications that are out of specification.
- ⊘ Do not disassemble nor modify any parts than those described in this document.

Caution: If these cautions are not followed, it may result in injury or damage.

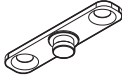
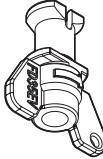
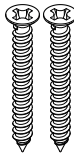
- ❗ Make sure to follow the designated measurements, specifications, and horizontal/vertical angles. Make sure that the frame is not warped, since it may affect the movement of the door.
- ❗ If cutting any parts, make sure to remove any burr before installation. Also check the upper track for any left-over burr or scrap and remove these.
- ❗ This (sliding door system) is a part for architectural fittings. After installation, make sure to test the finished product thoroughly to ensure that it is well-functioning and safe.
- ❗ Make sure to check the screws for slack at regular intervals (one month from first usage, half year and then one time every year is recommended).
- ❗ When installing “pocket door” specification, make “easy-maintenance” structure. For example, use removable panel.
- ❗ We recommend that the installation is carried out by two people, in order to ensure proper installation and avoid unnecessary stress on the parts.

COMPONENT PARTS

No.	①	②	③	④	⑤	⑥	⑦
Name	Dual soft closer	Front trigger	Pocket trigger	Upper roller (recessed)	Floor guide	Open area track	Door pocket track
Part No.	FD35EV-WRH-DSC	FD35EV-TRGPF	FD35EV-TRGPB	FD35EV-WRH-N	FD50-BGR18	FD30-35EV-TRMP	
	 1 pc	 1 pc	 1 pc	 1 pc	 1 pc	The profile of ⑥ and ⑦ are the same, but the cut length and hole location are different. See installation procedure [1] for the detail.)  1 pc  1 pc	
Accessories	Pan head tapping screws 3.8 x 40 3 pcs	Countersunk head tapping screws 4 x 30 2 pcs	Countersunk head tapping screws 4 x 30 2 pcs	Pan head tapping screws 3.8x40 3 pcs	Countersunk head tapping screws 4 x 20 4 pcs	Countersunk head tapping screws 3.5 x 25 (Q'ty depends on the hole location)	

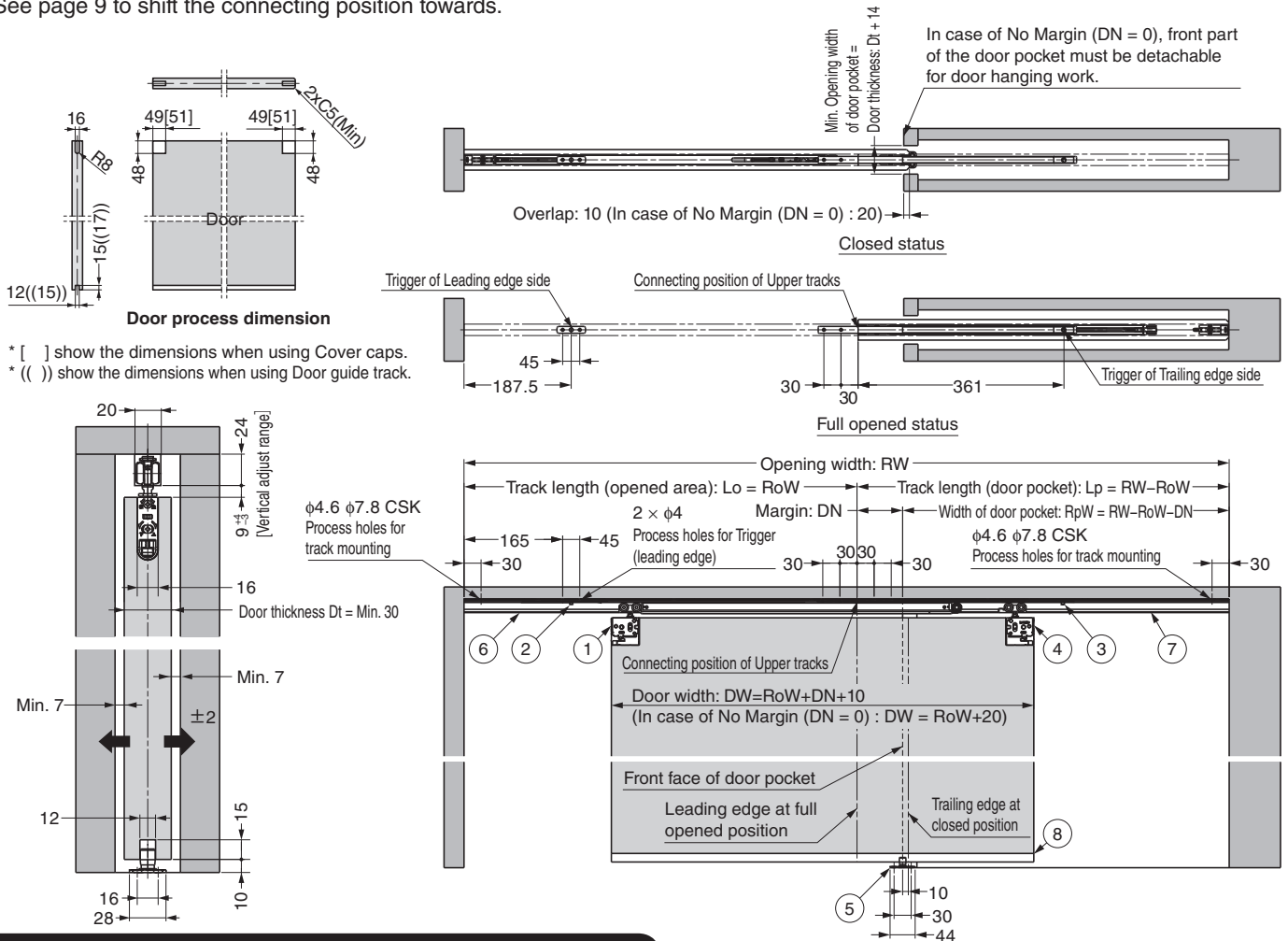
No.	⑧	⑨	⑩
Name	Door guide track	Cover cap	Track cleaner
Part No.	FD30-HBRT1500SIL	FD50-WRH-CP	FD30-TRC
Parts	 Recommended screw: Countersunk head tapping screws 4 x 20		

✗ Parts below are not needed for FD35EV pocket door application.

 Trigger
 Trigger mount jig
 Countersunk head tapping screws 4 x 30 : 2pcs

INSTALLATION DRAWING (EXAMPLE)

The below drawing shows the sliding door when the leading edge is aligned with the connecting position of the upper tracks.
See page 9 to shift the connecting position towards.

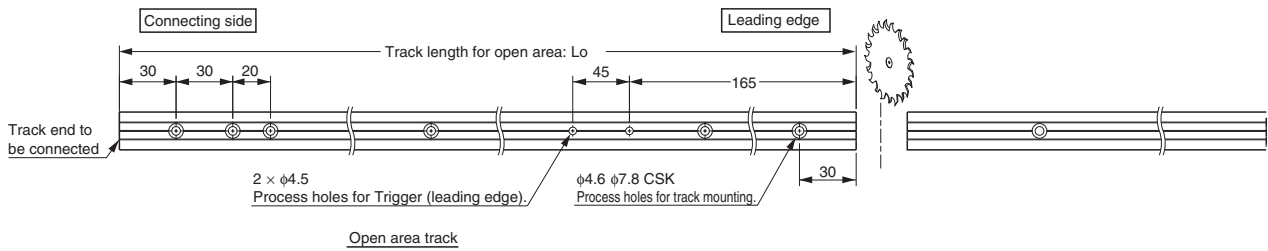


TOOLS REQUIRED FOR INSTALLATION

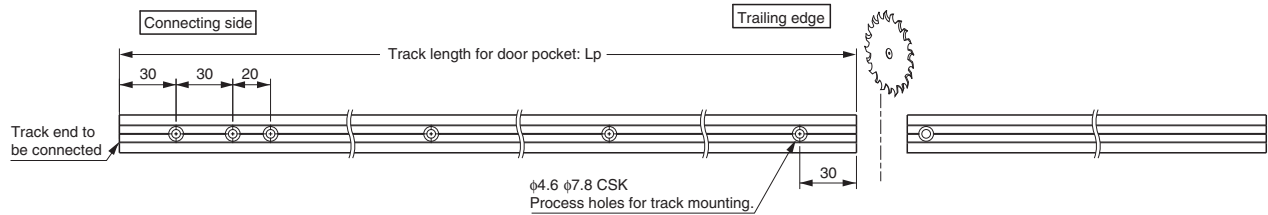
- Philips head driver #2
- Machine or tool for cutting aluminum alloy
- Drill bit for metal: $\phi 4.5$
- Drill bit for metal (for $\phi 7.8$ countersunk hole)

1 Cutting track and hole processing

When using 860 mm track and/or 1260 mm track (2 pcs)

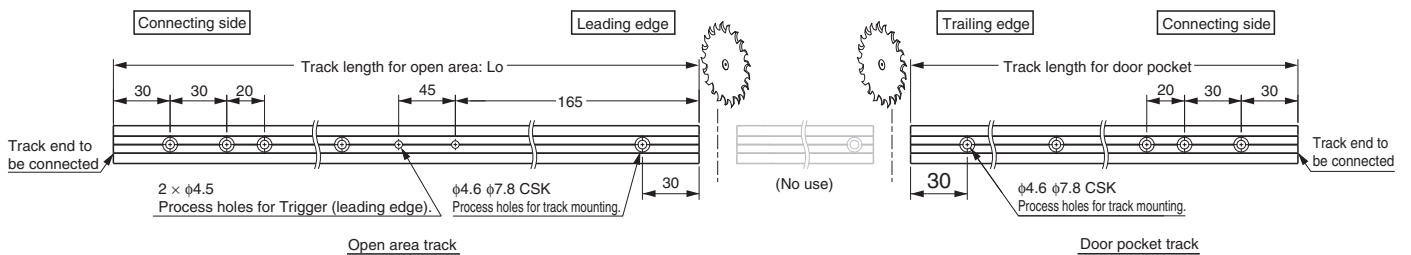


Open area track



Door pocket track

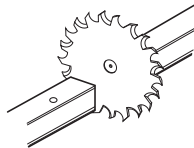
When cutting from a long track (1860 mm, 2760 mm, 3960 mm)



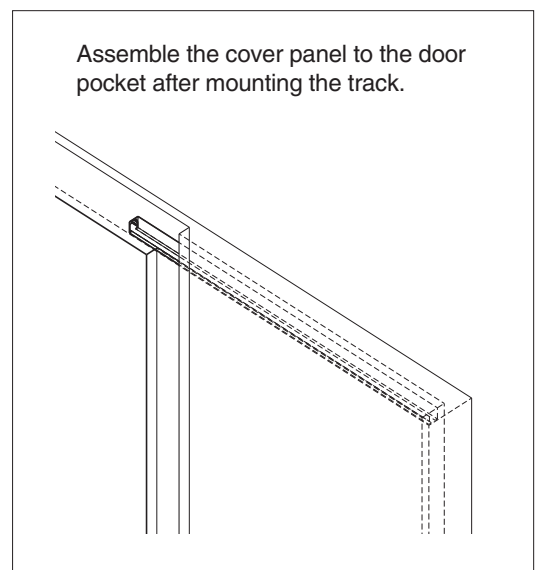
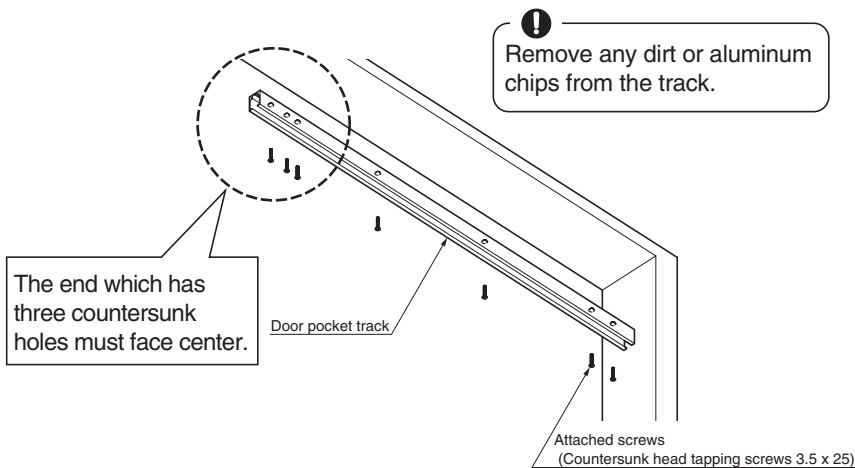
Open area track

Door pocket track

! When cutting, use reinforcer for the track to prevent deformation at cut section.

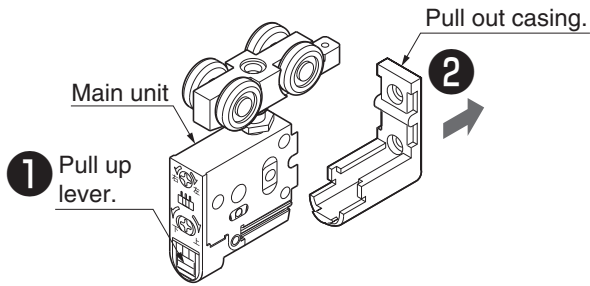


2 Installing Door pocket track



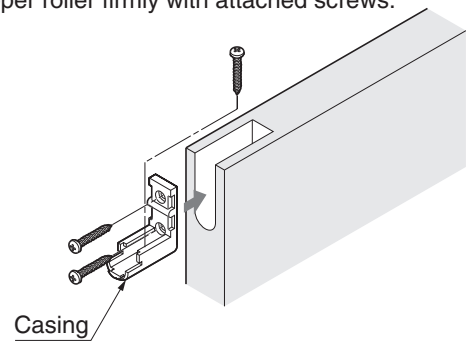
3 Removing Casing

Two-way soft closer and upper roller: Separate main unit from casing.

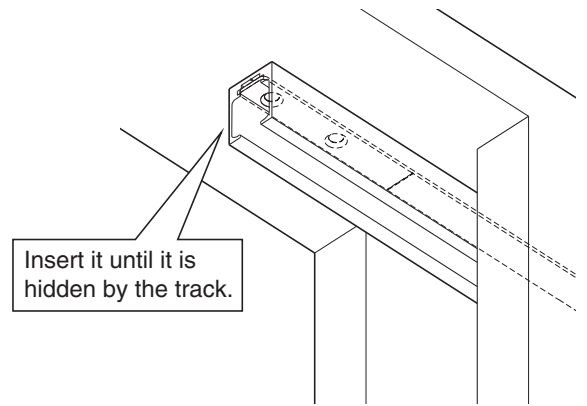
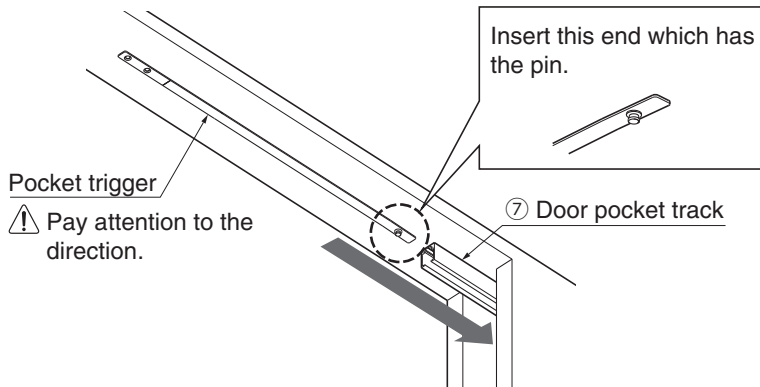


4 Installing Casing

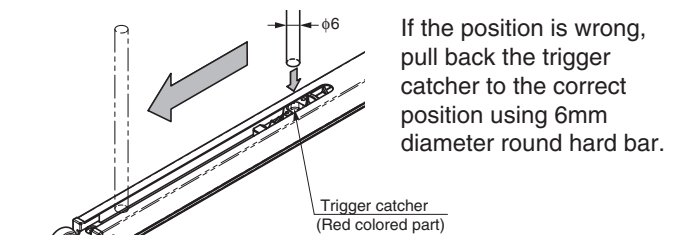
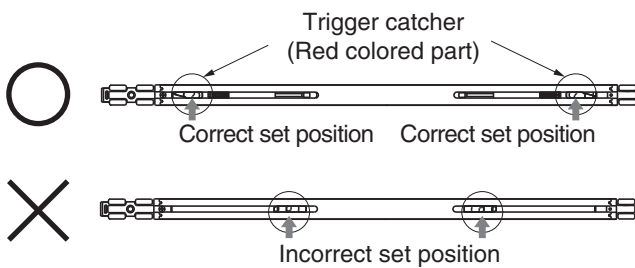
Fix upper roller firmly with attached screws.



5 Installing Pocket Trigger



6 Confirmation Before Installing the Dual Soft Closer



CAUTION

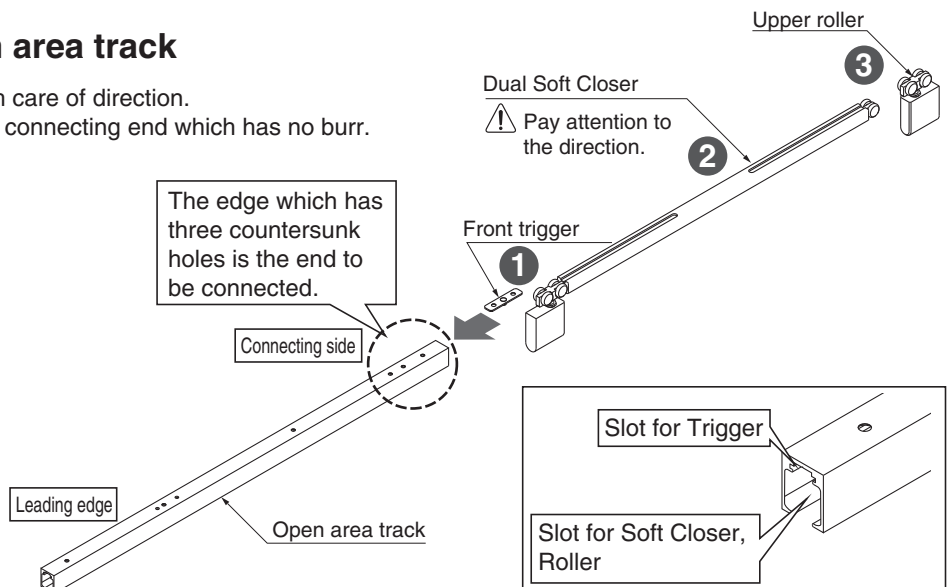
If the closer is installed without conformation, it will cause the trouble such as no-sliding of door.

7 Assembly of Parts for Open area track

Assemble the parts in order of 1 to 3 with care of direction. You can insert the parts smoothly from the connecting end which has no burr.

1 Remove any dirt or aluminum chips from the track.

2 Tape around upper roller and upper track to prevent drop of inserted parts from moving.

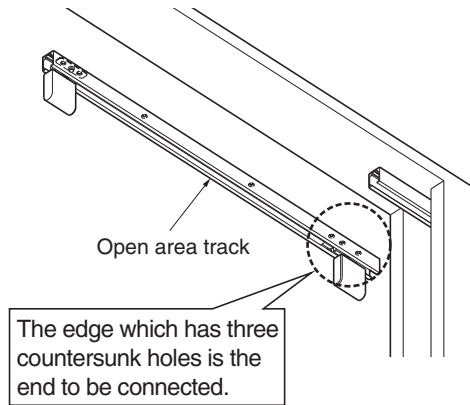


8 Installing Open Area Track

[1] Positioning

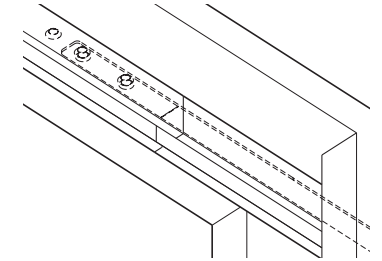
Align the track end to the end of the Door pocket track.

Pull out the Pocket trigger from the Door pocket track, and insert it to the Open area track.



Overlap the two countersunk holes on the Pocket trigger and the two holes on the Open area track.

⚠ Insertion of the trigger may be difficult if the tracks are not aligned.



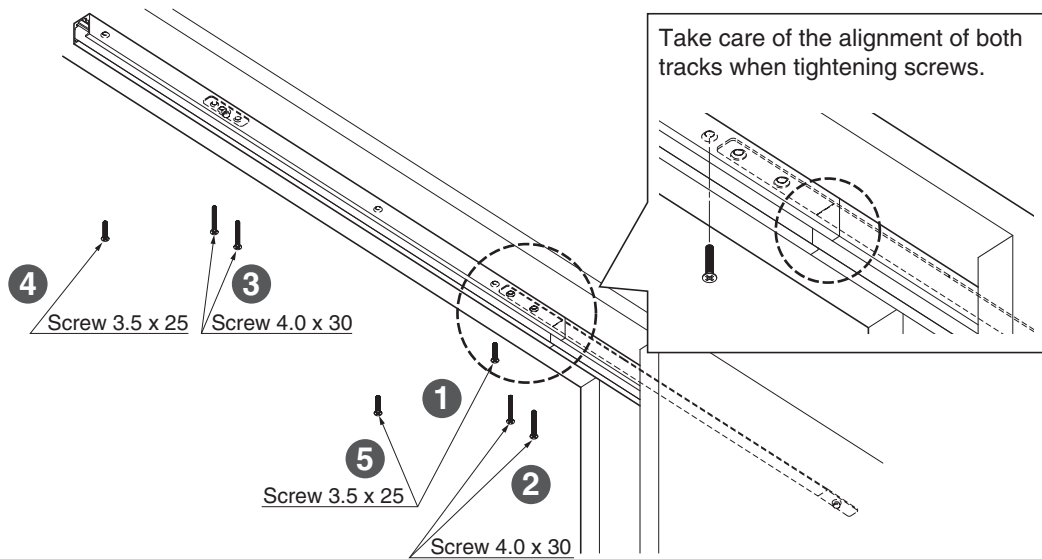
When sliding Pocket trigger, use a screwdriver.

⚠ Take care not to damage the track when sliding the Pocket trigger. Scratches on the running track may cause a noise of rollers during operation.

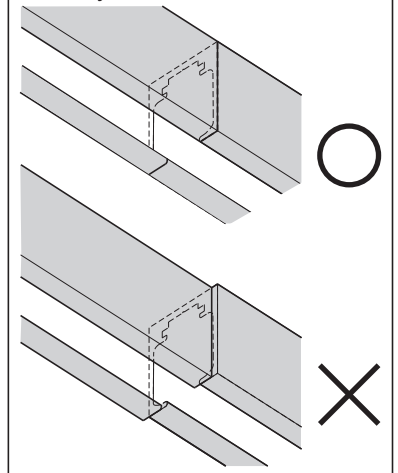


[2] Fixing

Fix the Open area track and Pocket trigger with provided screws in order of ① to ⑤. Move Rollers if they cover the fixing holes on the track.



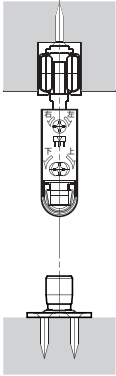
⚠ Be careful of the misalignment of the tracks. Tighten the screws firmly.



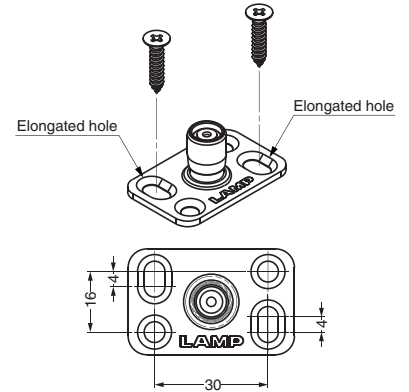
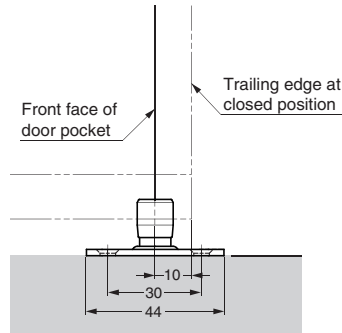
❗ After fixing the track, move rollers and check if there is any misalignment or gap between the tracks.

9 Temporary Fixing Floor Guide

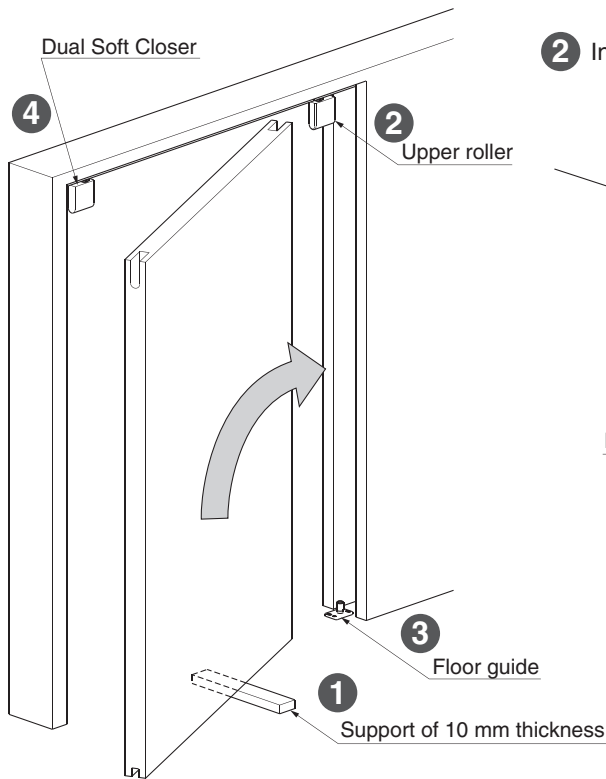
Position floor guide just below the center of upper track.



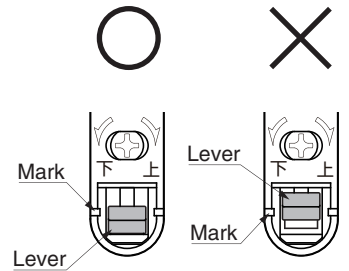
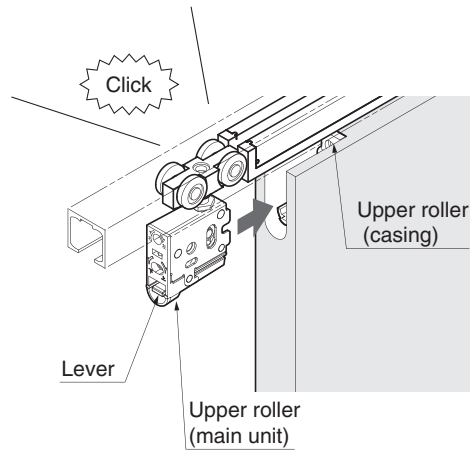
! The figure shows the position of the model which has margin.



10 Hanging Door



2 Insert the roller until a click sound is heard.

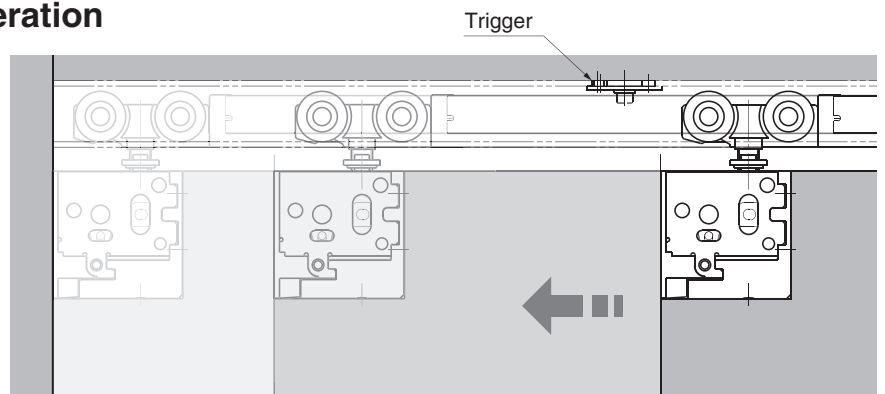


! Confirm that upper roller main unit is not dislocated from casing, for both door head and door tail sides.

11 Confirmation of Soft Closer Operation

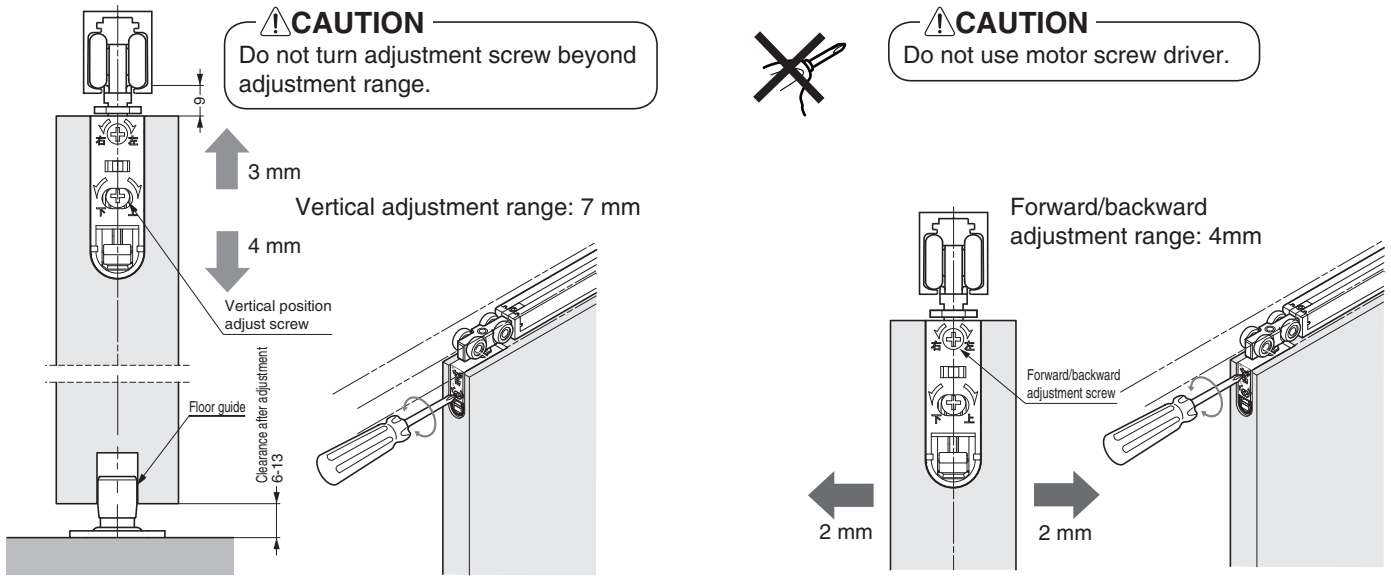
Remove the 10 mm support under the door. Close the door slowly and check if soft closer starts to work at approx. 100 mm before full-close position, and approx. 50 mm before full-open position. Please refer to "Troubleshooting" when soft closer does not work correctly.

! Do not close the door with excessive force. It may cause damage or defect of soft close mechanism.



12 Adjusting Door Position

Adjust door parallel to upper track with 6-13 mm clearance between door and floor.



13 Adjusting Floor Guide (Adjust range : 4 mm)

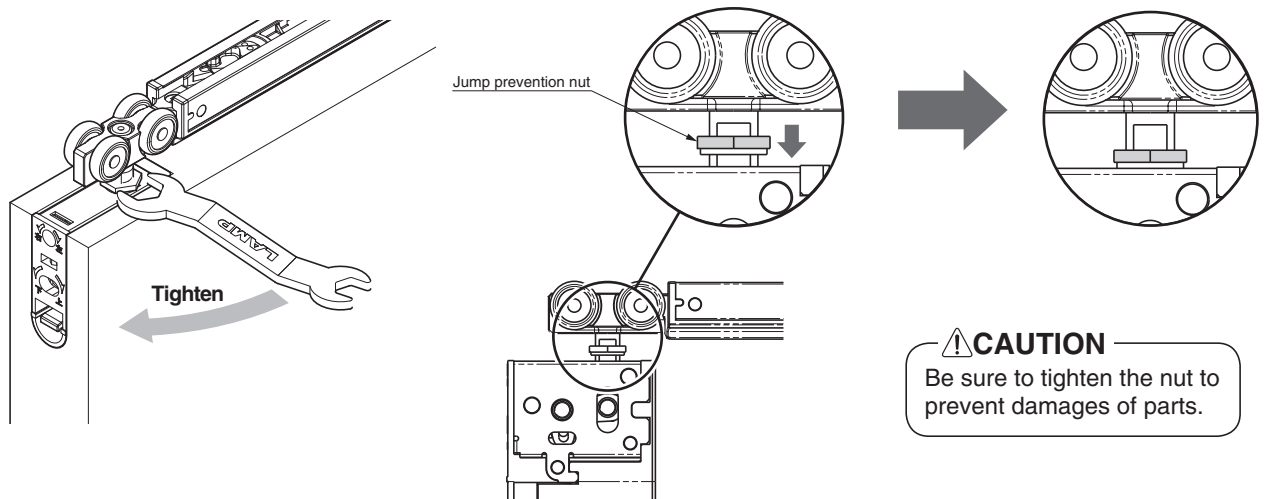
If the door movement is not smooth, remove the door, then make a forward/backward adjustment on floor guide.

Tighten all 4 screws after the adjustment.



14 Fixing jump prevention nut

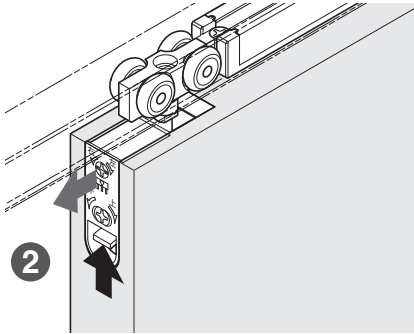
Jump prevention nut is on the hanger bolt of upper roller. Tighten the nut with provided spanner until it contacts to soft closer.



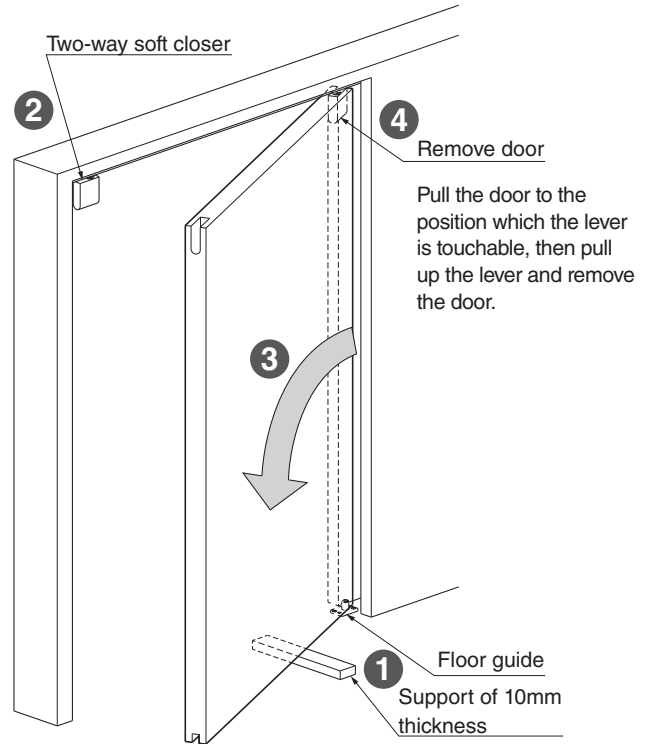
Supplement 1 How to Remove Door, Track

[1] How to remove door

- ① Put a support of 10mm thickness under the door.
- ② Pull out the upper roller (main unit) from the casing, while pushing the lever on the upper roller.
- ③ Pull out the door, while taking care of scratching with the door pocket.
- ④ Pull out the upper roller on the trailing edge from the casing.



⚠ Be careful not to fall the door down.

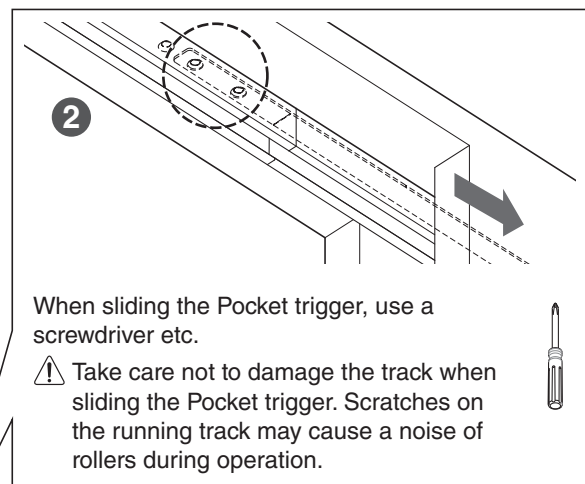
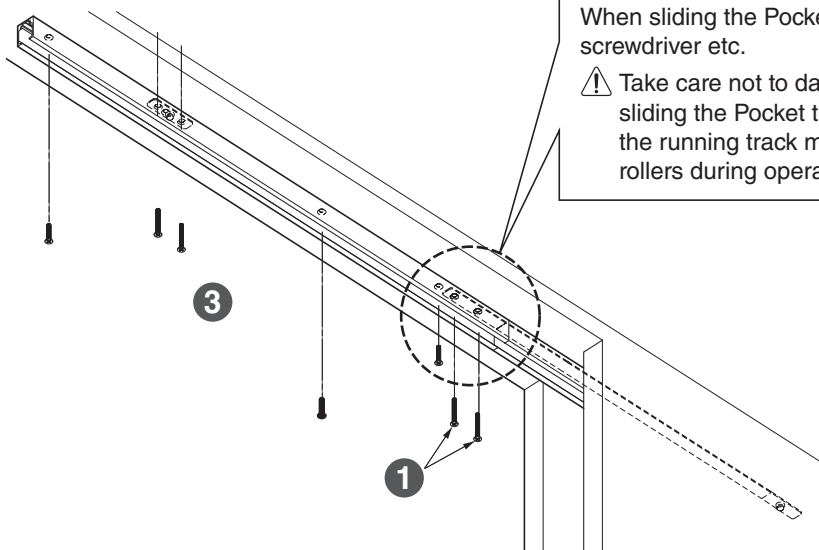


[2] How to remove Upper track

- ① Remove the screws on the Pocket trigger.
- ② Slide the Pocket trigger into the Door pocket track.
- ③ Remove the Open area track.

⚠ The trigger can be deformed when to remove the Open area track without sliding the Pocket trigger into the Door pocket track.

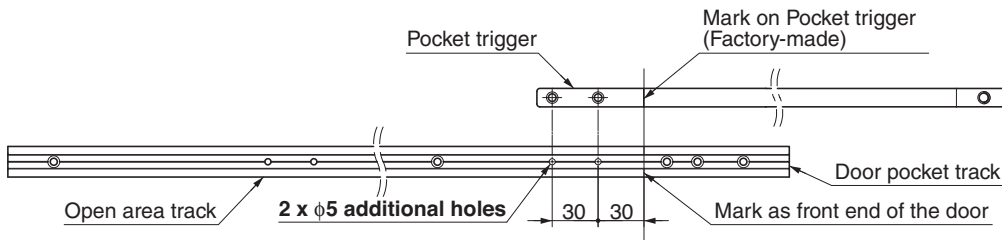
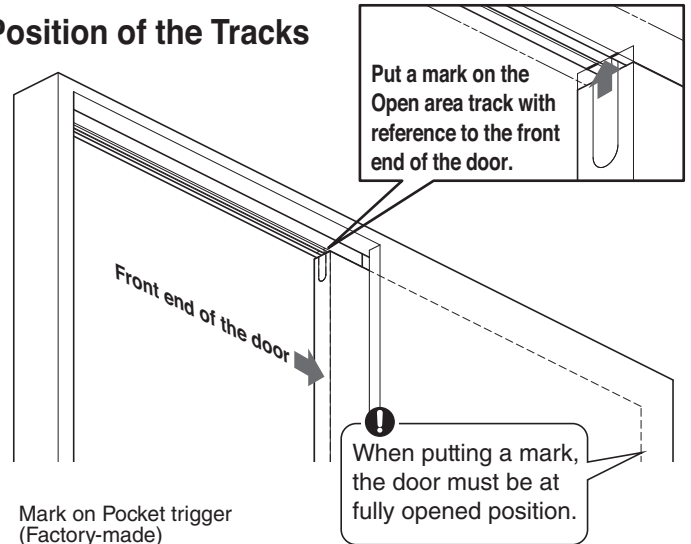
Hold the Open area track when removing the last screw.



Supplement 2 How to Shift The Connecting Position of the Tracks

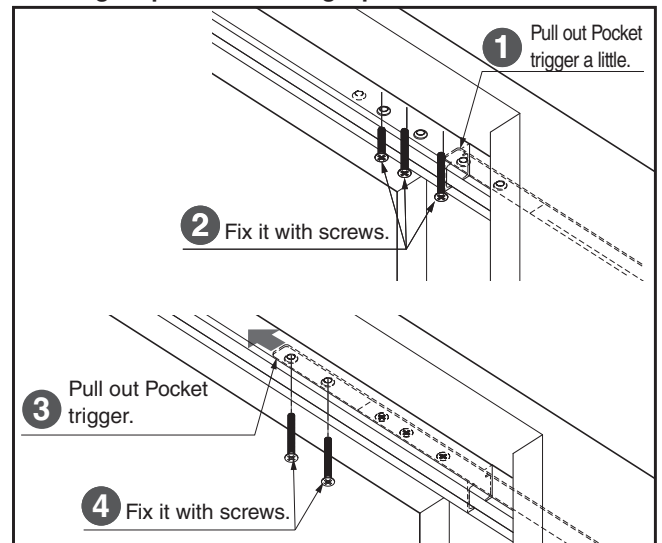
[1] When determining trigger position on site

- (1) Put a mark on the Open area track with reference to the front end of the door at full opened position.
(We recommend to put the mark on a masking tape.)
- (2) Drill additional holes for pocket trigger.
Remove the door according to the procedure - **Supplement 1**: How to remove door, then remove the Open area track.
 - Drill additional holes for Trigger on the Open area track.
(See the below drawing.)



- (3) Fixing Open area track
Follow the right below figure, since the working sequence is different from regular process.
- (4) Hanging door
Refer to the procedure 「**2**」 and following procedures on page 3.

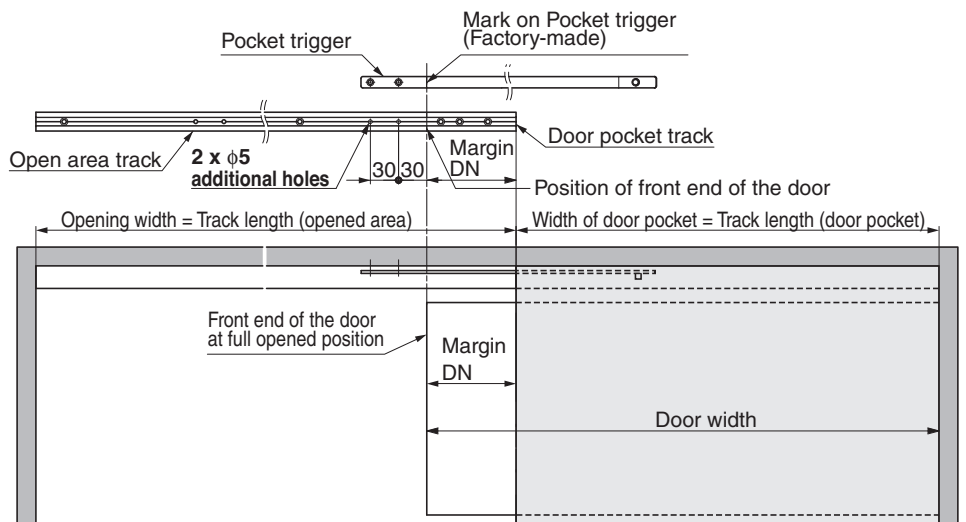
Working sequence for fixing Open area track



[2] How to process holes for Pocket trigger in advance

[Example] Door pocket track with its length equal to the width of door pocket.

- (1) Drill holes for Pocket trigger according to below drawing.
- (2) Fix Open area track, while following the right above figure, since the working sequence is different from regular process.



Final confirmation Confirm that all screws are securely tightened and used without mistake.

PERIODICAL INSPECTION	<ul style="list-style-type: none"> · Clean inside of track. · Check upper space and lower space of the door. If necessary, correct the space.
------------------------------	---

■ TROUBLESHOOTING

Trouble	Checkpoint	Solution
Door stops during soft closing	Check if door bottom contacts with floor.	Confirm that track fixing screws are not loosened. Then, adjust door height such that clearance between door bottom and floor becomes 6 - 13 mm.
	Check if upper track is set horizontally.	Using a level gauge, reset upper track horizontally.
	Check if mohair seal is installed.	Reduce the friction between mohair seal and door.
No soft closing	Check if trigger is installed.	Install trigger to correct position.
	Check if door is closed by excessive force.	Do not close door by excessive force and it may damage soft closer.
	The position of trigger catcher might change to the incorrect position inside the track. (See section 「 6 」 .)	Slowly moving the door toward door head side, then push the door firmly. Repeat this action to the opposite side as well. If it is still not improved, check the status of trigger catcher in section 「 6 」 .
Abnormal noise during operation	Check if door touches other parts.	Correct door position to avoid contact to other parts.
	Check track rollers for aluminum dust.	Remove the track and pull out the roller. Then, clean the roller.
	Check for loose screws retaining the upper track.	Tighten the screw.
Heavy door operation	Check if door touches adjacent parts.	Correct door position to avoid contact to other objects. Adjust position of floor guide or stopper.
	Check if door is warped.	Use a door without warp.
Door does not move.	Check track retaining screws for looseness.	Roller touches with screw. Retighten screws to free the roller.
Door stops or caught during operation.	Check if any gap or misalignment between the tracks.	Correct the misalignment or gap.

SUGATSUNE KOGYO CO.,LTD.
Phone: +81 3 3866 2260
F a x : +81 3 3866 4447
E-mail: export@sugatsune.co.jp
Website: www.sugatsune-intl.com

SUGATSUNE KOGYO (UK) LTD.
Phone: +44 118 9272 955
F a x : +44 118 9272 871
E-mail: sales@sugatsune.co.uk
Website: www.sugatsune.co.uk

SUGATSUNE AMERICA, INC.
Phone: +1 310 329 6373
F a x : +1 310 329 0819
E-mail: sales@sugatsune.com
Website: www.sugatsune.com

SUGATSUNE SHANGHAI CO., LTD.
Phone: +86 21 3632 1858
F a x : +86 21 3632 1868
E-mail: lamp@sugatsune.com.cn
Website: www.sugatsune.com.cn