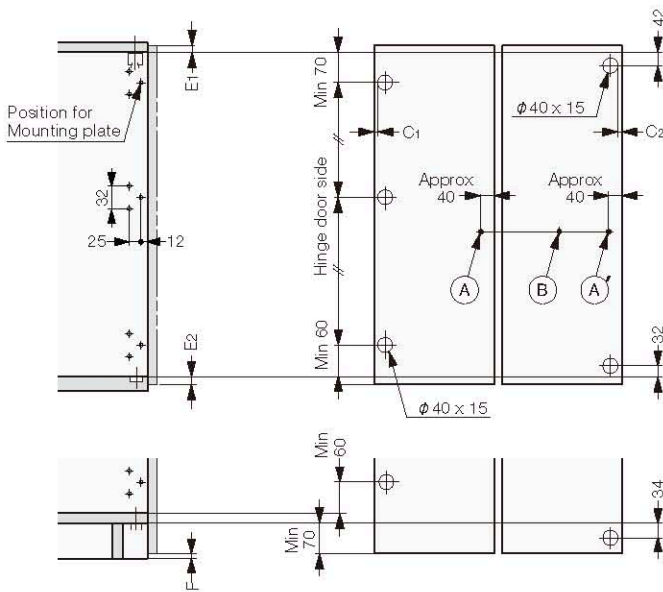


CABINET / DOOR WIDTH DIMENSIONS

Application	Hinged door at 90° open	Hinged door at 95° open	Other door at 87.5° open
2 Doors folding <p> W = Width of inside cabinet W_1 = Width of door ① and ④ W_2 = Width of door ② and ③ W_3 = Width of door ③' E = Coverage θ° = Opening angle at hinged door </p>	$W_1 = \frac{W + 2E - 3.3}{2}$ $W_2 = W_1 + 1.7$	$W_1 = \frac{W + 2E - 6.8}{2}$ $W_2 = W_1 + 5.2$	$W_1 = \frac{W + 2E - 1.6}{2}$ $W_2 = W_1$
2 Doors folding and 1 swing open 	$W_3 = W_1$ $W_1 = \frac{W + 2E - 7.3}{3}$ $W_2 = W_1 + 1.7$	$W_3 = W_1$ $W_1 = \frac{W + 2E - 10.8}{3}$ $W_2 = W_1 + 5.2$	$W_1 = \frac{W + 2E - 5.6}{3}$ $W_1 = W_2 = W_3$
2 Doors folding and 2 Doors folding 	$W_1 = \frac{W + 2E - 10.6}{4}$ $W_2 = W_1 + 1.7$	$W_1 = \frac{W + 2E - 17.6}{4}$ $W_2 = W_1 + 5.2$	$W_1 = \frac{W + 2E - 7.2}{4}$ $W_1 = W_2$

DOOR PROCESS DIMENSION

The drawing describes the right handed opening type.
The left-handed opening type is a mirror image.



E_1 = Coverage (top)

E_2 = Coverage (bottom)

F = Gap between door bottom and floor (10mm)

Required Parts

Door Height	Concealed hinge ④ Mounting plate ⑤ (pcs)	Center hinge ⑥ (pcs)
900 mm	2	3
1600 mm	3	3
2000 mm	4	4
2400 mm	5	4

Coverage at Hinge door side	C1 - Dimension	C2 - Dimension
22 mm	3 mm	5 mm
23 mm	4 mm	6 mm
24 mm	5 mm	7 mm
25 mm	6 mm	8 mm
26 mm	7 mm	9 mm

Opening clearance for Hinge door side

C1 (mm)	Door thickness (mm)			
	28	30	32	34
3	2.7	5.1	7.5	9.9
4	1.9	4.1	6.5	8.9
5	1.8	3.1	5.5	7.9
6	1.8	2.4	4.5	6.9
7	1.8	2.3	3.5	5.9

Knob Installation (Sold separately)

Recommended knob mounting position ① for opening & ①' for closing the door.
Install one knob at ② position is also applicable for both opening & closing.

INSTALLATION PROCEDURE

1 Cutting rails

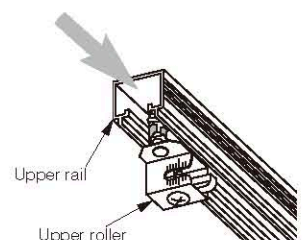
Cut Upper rail & Lower rail to the required length.

$$\text{Length} = W - 1.5$$

! Remove any dirt or aluminum chips from the rail as they would cause noise during operation.

2 Installing upper rail

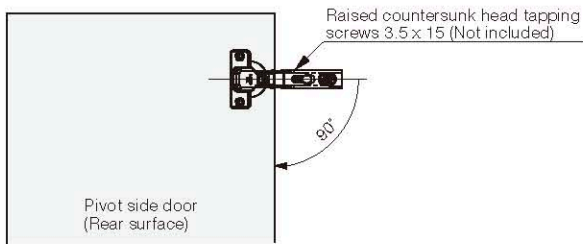
Insert Upper roller to Upper rail before mounting.



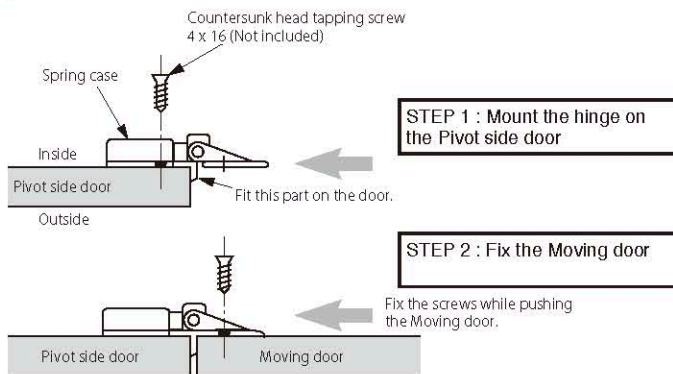
! When installing the rails, ensure that upper rail and lower rail are parallel.

3 Installing concealed hinges, upper roller

Install Concealed hinge for Pivot side door.
Install the hinge of Sliding guide for moving door.



4 Installing center hinges

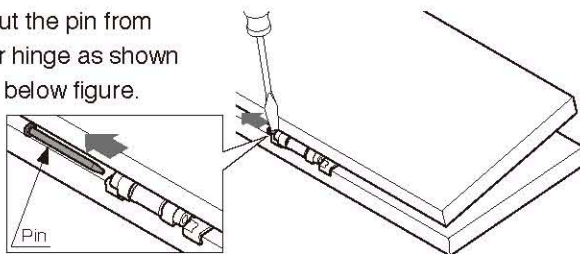


5 Installing knob

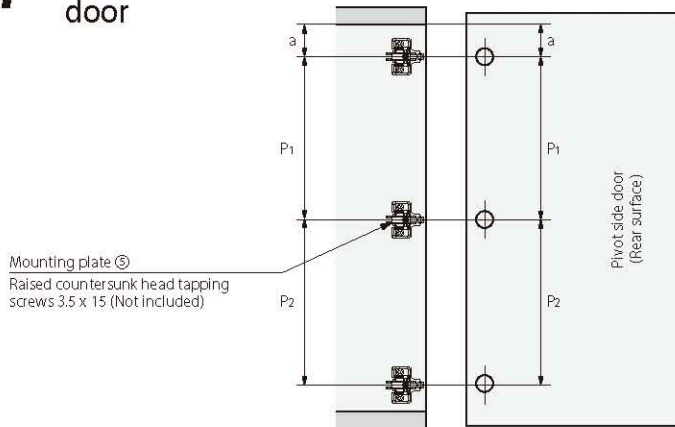
As for the position of the knob, please refer to "Door Process Dimensions" on page 2 and "How to operate the knob" on page 4.

6 Separating door panels

Pull out the pin from center hinge as shown in the below figure.



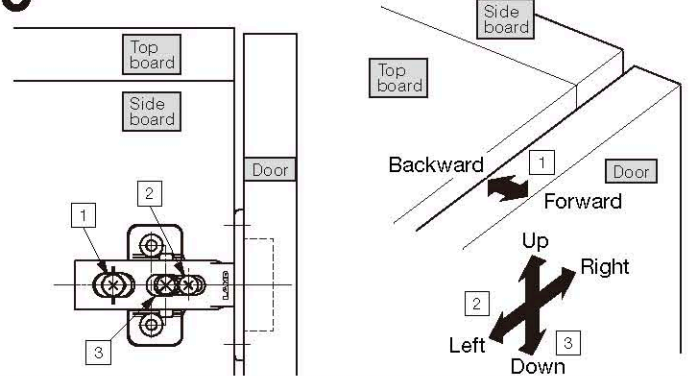
7 Fixing the mounting plates for Pivot side door



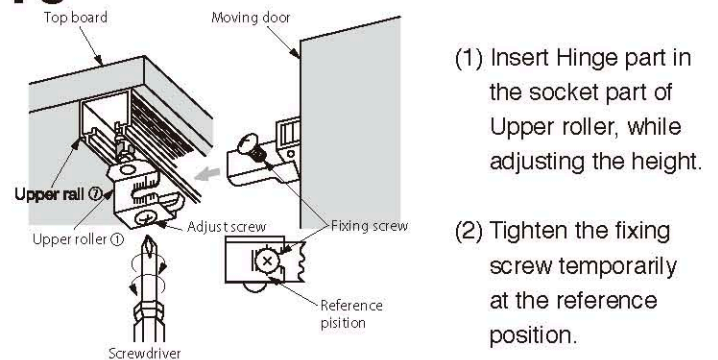
8 Hanging the doors

Put a support of suitable height under the doors, clip on the hinges on the door to the mounting plates on the cabinet.

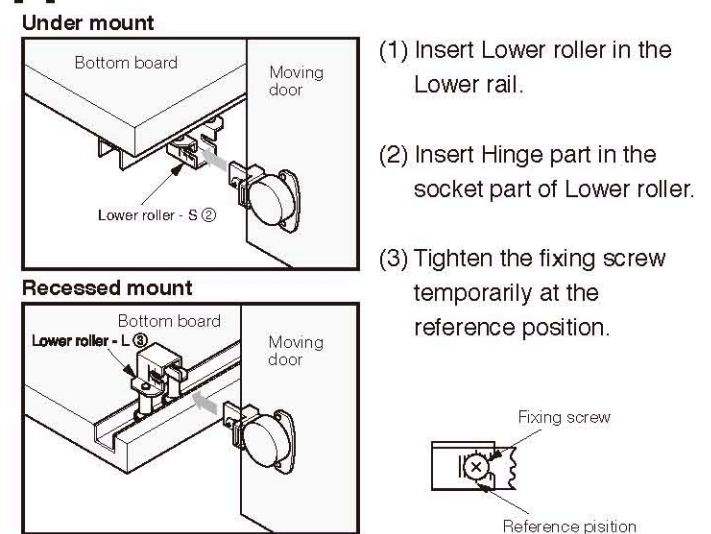
9 Door adjustment



10 Installing Upper roller

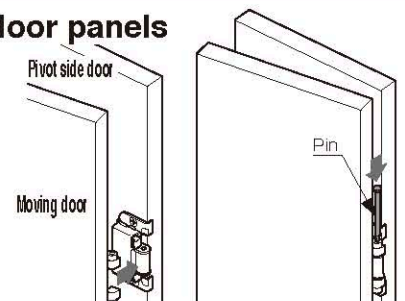


11 Installing Lower roller



12 Assembling door panels

Couple the hinge parts as shown in the right figure, then insert the hinge pin from above.



13 Checking the door movement

Open and close the door for several time and check if the door moves smoothly. Then re-tighten the fixing screws of all parts.



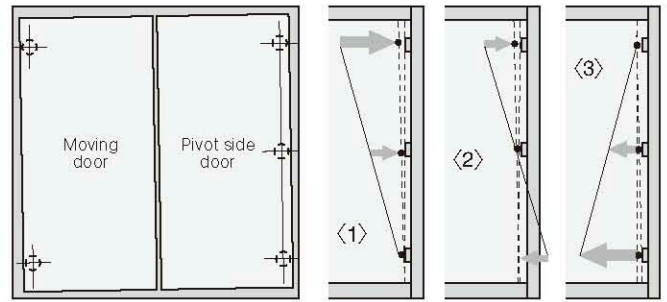
Periodically check if all of the screws are not loose. If the looseness is found, tighten it.

ADJUSTMENT OF THE INCLINED DOOR

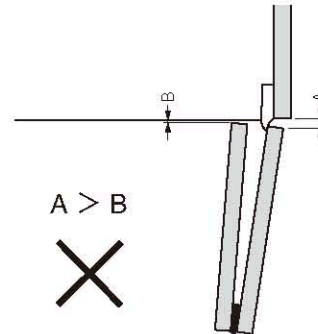
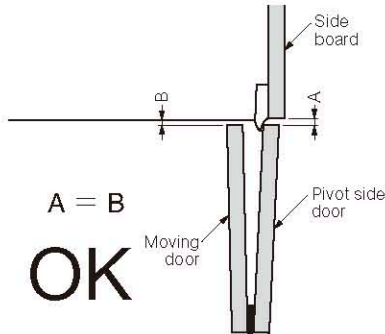
When the door is inclined a lot like the right illustration, adjust the door by the adjustment screws on the concealed hinges. Do not try to adjust it by the screws on the sliding guide.

There are three ways of adjustment as below..

- 〈1〉 Reduce the upper gap by the top and middle hinges.
- 〈2〉 Reduce the upper gap by the top hinge and increase the lower gap by the bottom hinge.
- 〈3〉 Increase the lower gap by the bottom hinge.



SUGGESTIONS FOR DOORS IN EQUAL WIDTH

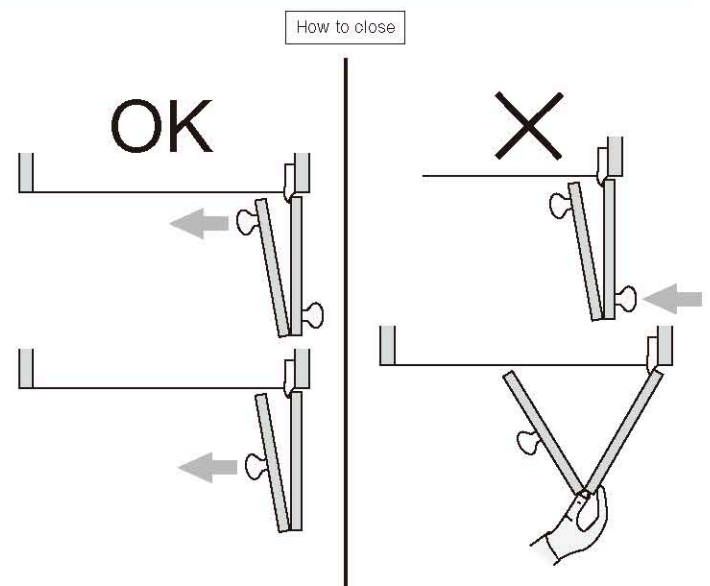
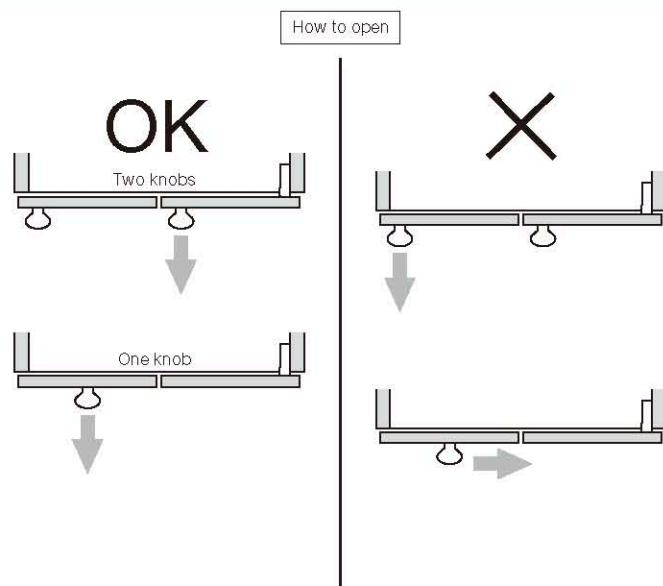


Adjust the fore-and-aft position of the concealed hinges so that the both A and B gaps are the same.

If "A" is bigger than "B", the closing action would not be smooth. Re-adjust the gaps as below.

1. Loosen all fore-and-aft-adjustment screws on the concealed hinges, and reduce the gap A, then re-tighten the screws.
2. If "A" is still bigger "B", increase the gap B by adjusting the screws on the sliding guides.

HOW TO OPERATE THE KNOB



SUGATSUNE KOGYO CO.,LTD.
 Phone: +81 3 3866 2260
 Fax: +81 3 3866 4447
 E-mail: export@sugatsune.co.jp
 Website: www.sugatsune-intl.com

SUGATSUNE KOGYO (UK) LTD.
 Phone: +44 118 9272 955
 Fax: +44 118 9272 871
 E-mail: sales@sugatsune.co.uk
 Website: www.sugatsune.co.uk

SUGATSUNE AMERICA, INC.
 Phone: +1 310 329 6373
 Fax: +1 310 329 0819
 E-mail: sales@sugatsune.com
 Website: www.sugatsune.com

SUGATSUNE SHANGHAI CO., LTD.
 Phone: +86 21 3632 1858
 Fax: +86 21 3632 1868
 E-mail: lamp@sugatsune.com.cn
 Website: www.sugatsune.com.cn