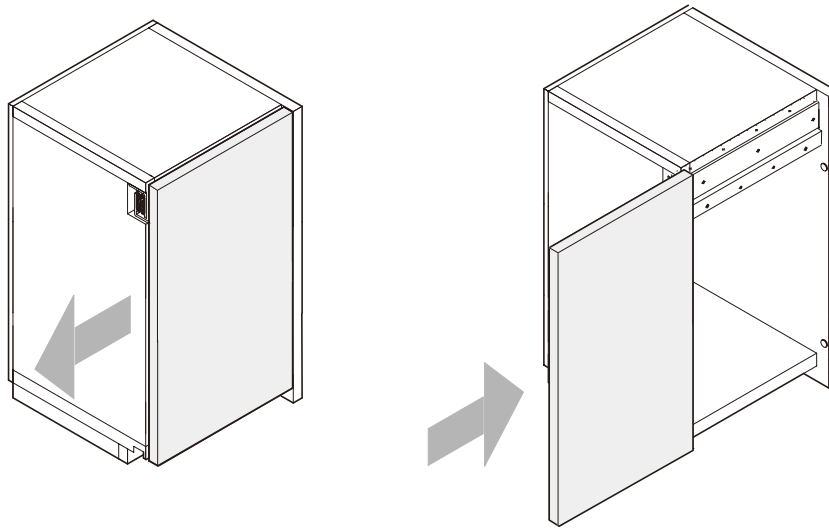


Thank you for selecting our product. Before starting installation, please read this manual thoroughly to ensure correct installation.

Please keep this manual at hand for future reference.

■ ABOUT THIS PRODUCT

- This product is parts set for installation of sliding door for cabinets.
- Door travels fully over the cabinet width.
- The cabinet should be installed only after finishing mounting the door. This is particularly important to take this into consideration when installing the cabinet to a wall in order to adopt an appropriate fixing method.



■ DOOR WIDTH DIMENSIONS

Item No.	Door Height	Door Width	Door Thickness	Door Weight
OX-300L (Left Open)	Max. 900mm	305~328mm	20mm	Max. 5kg
OX-300R (Right Open)				

■ FOR YOUR SAFETY WORK AND OPERATION

	This symbol denotes prohibited actions.
	This symbol denotes what must be done.

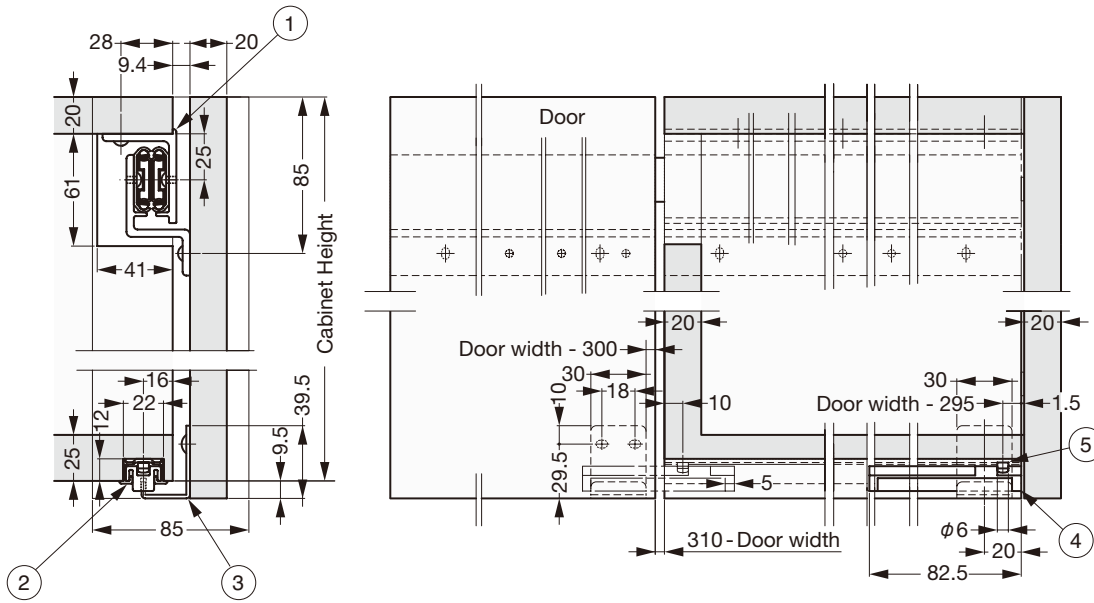


Caution If these cautions are not followed, it may result in injury or damage.

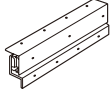
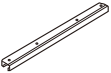

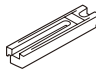







- Do not try to use this product for any other purposes other than originally intended for. Do not use the parts for applications that are out of specification.
- It is necessary to manufacture the cabinet with sufficient strength to endure the weight of door and impact shocks upon opening / closing the door.
- Make sure that the cabinet and the doors are not inclined nor warped.
- Do not disassemble the components for any modifications.

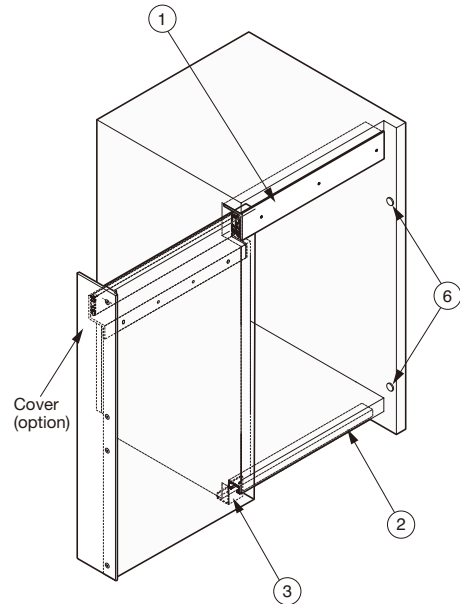
■ INSTALLATION DRAWING (EXAMPLE)

The drawings show "Left Open" cabinet. "Right Open" cabinet is a mirror image.

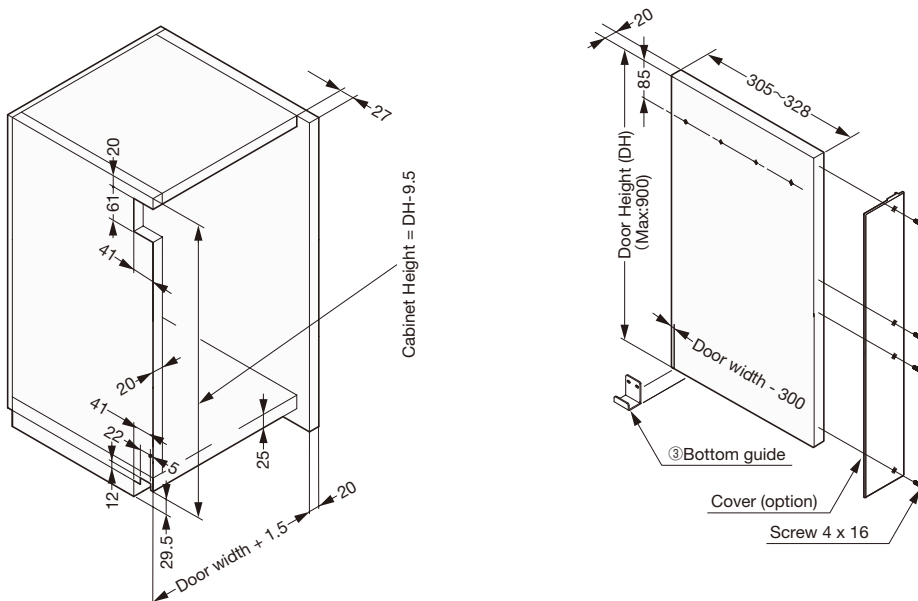


■ COMPONENT PARTS

① Upper rail  1 pc	② Lower rail  1 pc	③ Bottom guide  1 pc	④ Slider  1 pc
⑤ Stopper  2 pcs	⑥ Bumper  2 pcs	⑦ Screw 4 x 18  4 pcs	⑧ Screw 4 x 16  6 pcs
⑨ Screw 3 x 12  2 pcs	⑩ Screw 3.5 x 16  2 pcs	Cover (option) 	

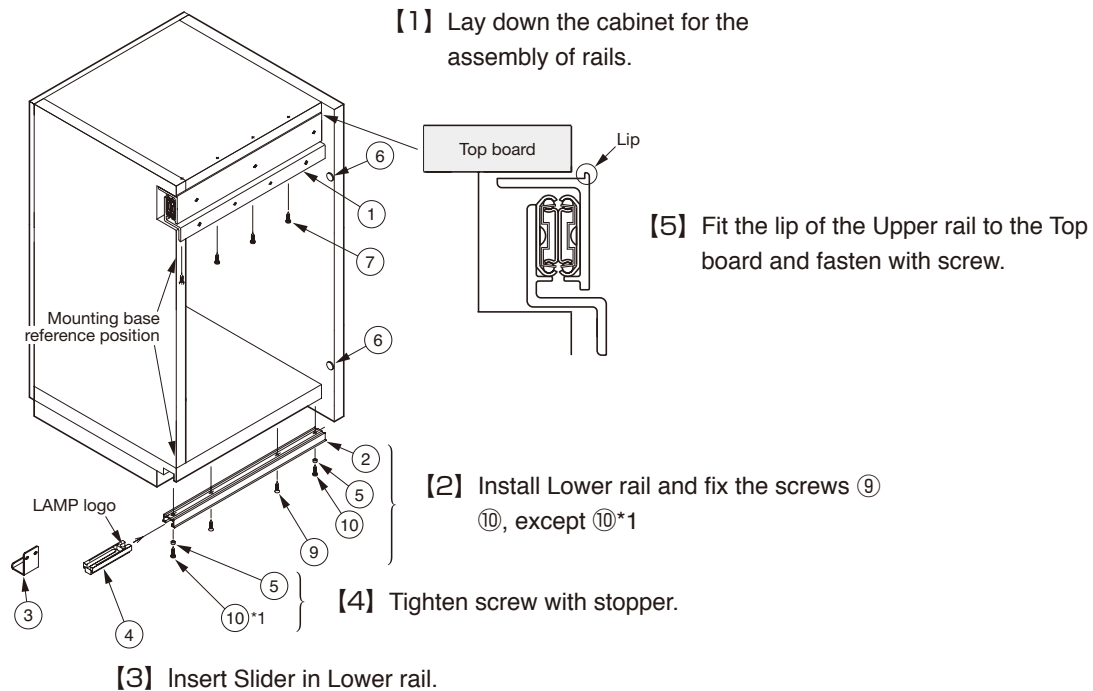


■ CABINET / DOOR PROCESS DIMENSION

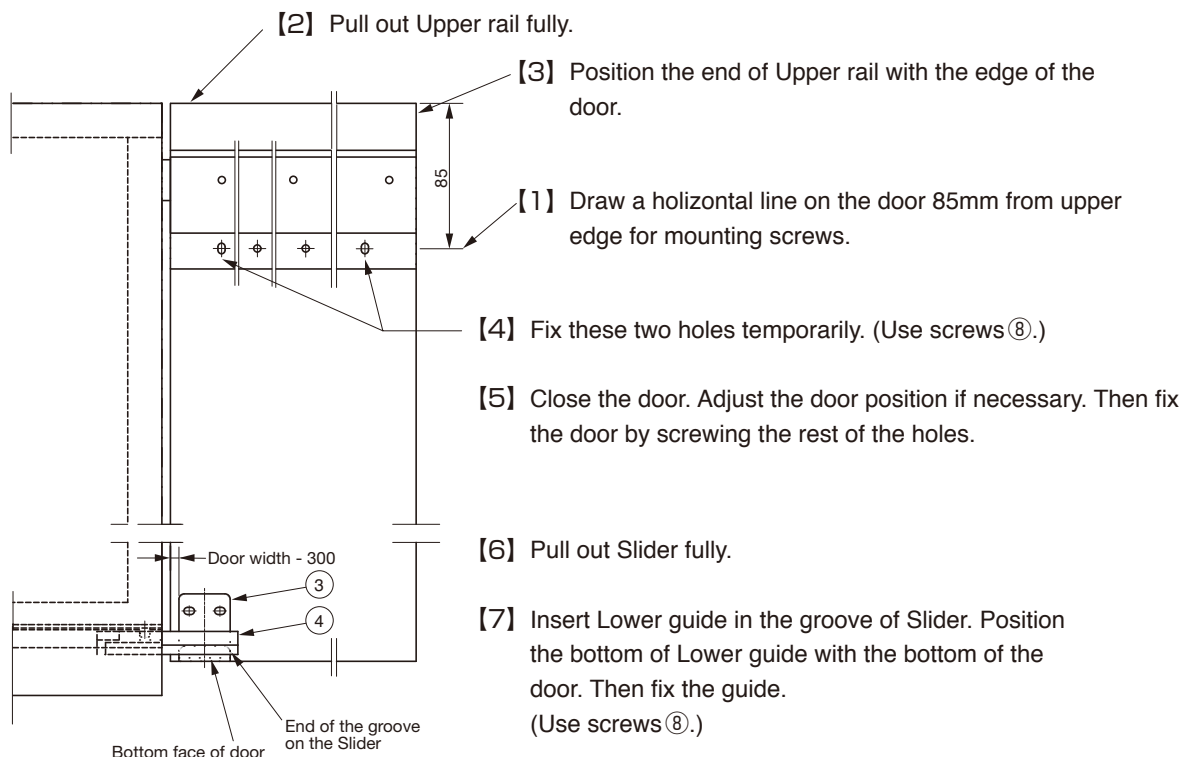


■ INSTALLATION PROCEDURE

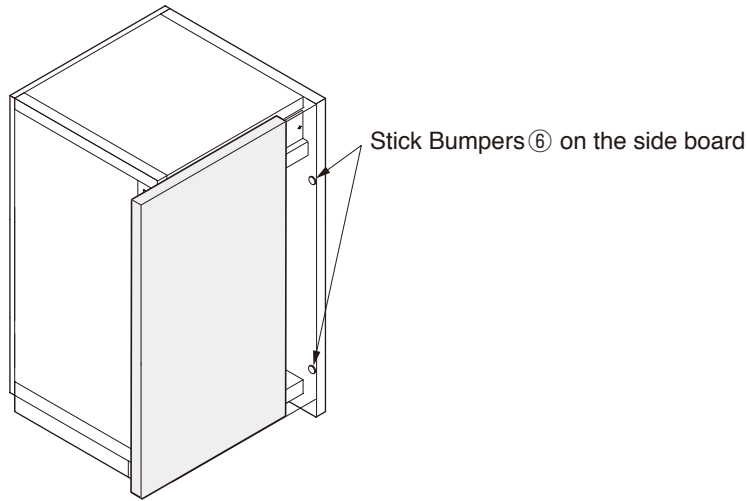
1. Cabinet



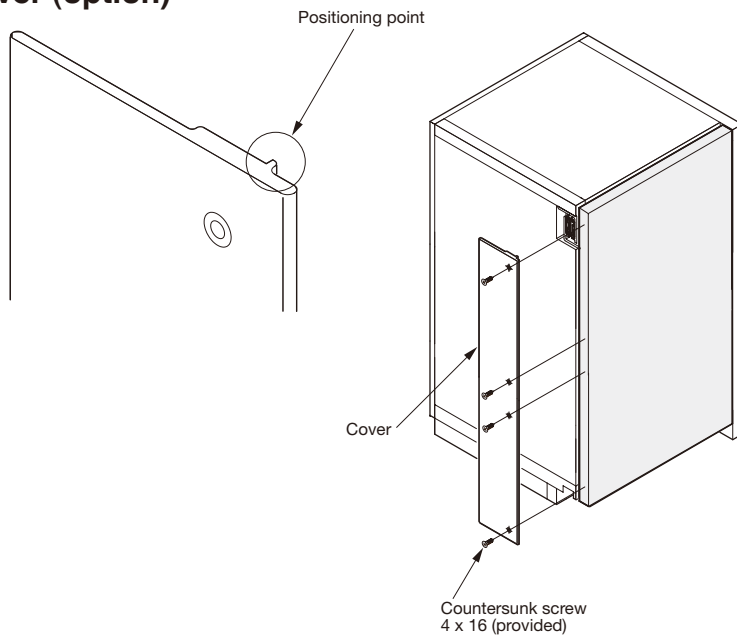
2. Door



3. Bumpers



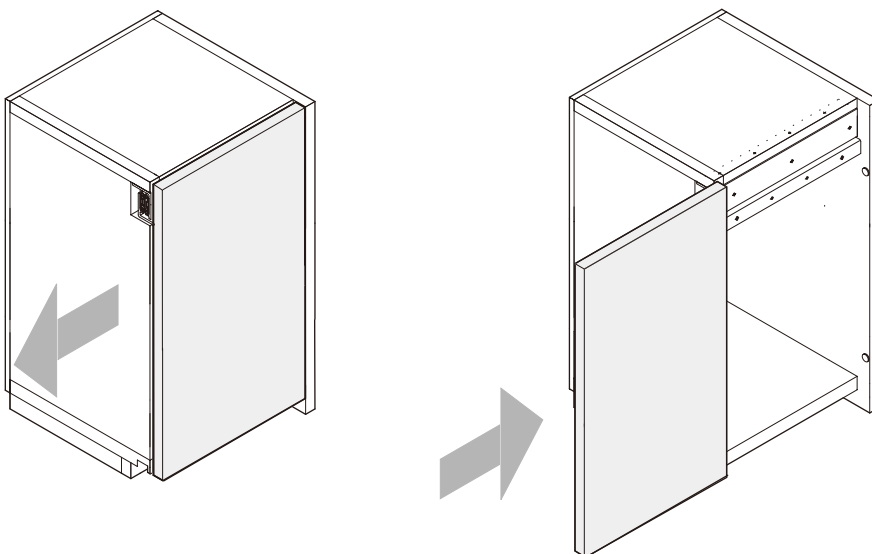
4. Cover (option)



【1】 Cut the lower part of Cover to the same length as the door height, and de-burr the cutting edge.

【2】 Fit the positioning point of the cover to the door side surface. Adjust the height and use the included screws to fasten the cover.

5. Check the movement



Check if the door moves smoothly.
Check if all of the screws are tightened firmly and the door is straight.
Then install the cabinet to the required position.

SUGATSUNE KOGYO CO.,LTD.
Phone: +81 3 3866 2260
F a x : +81 3 3866 4447
E-mail: export@sugatsune.co.jp
Website: www.sugatsune-intl.com

SUGATSUNE KOGYO (UK) LTD.
Phone: +44 118 9272 955
F a x : +44 118 9272 871
E-mail: sales@sugatsune.co.uk
Website: www.sugatsune.co.uk

SUGATSUNE AMERICA, INC.
Phone: +1 310 329 6373
F a x : +1 310 329 0819
E-mail: sales@sugatsune.com
Website: www.sugatsune.com

SUGATSUNE SHANGHAI CO., LTD.
Phone: +86 21 3632 1858
F a x : +86 21 3632 1868
E-mail: lamp@sugatsune.com.cn
Website: www.sugatsune.com.cn