

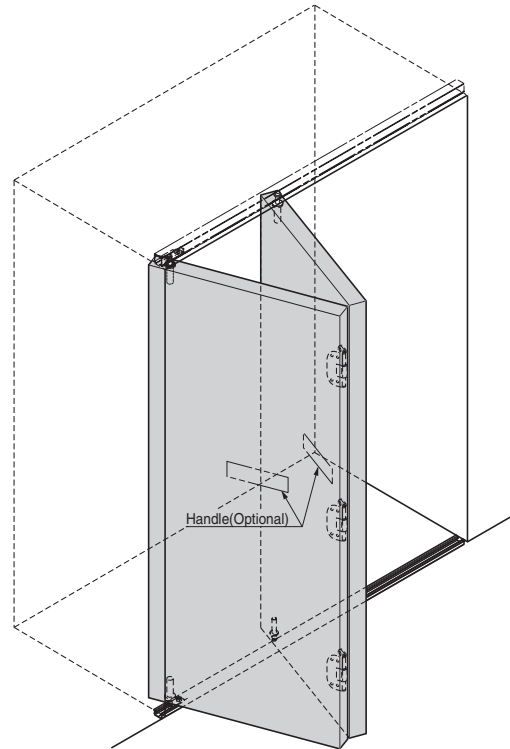
Thank you for selecting our product. Before starting installation, please read this manual thoroughly to ensure correct installation. Please keep this manual at hand for future reference.

**ABOUT THE PRODUCT**

- This product is parts set for folding door system for cabinets.
- The upper pivot has a red line to judge if the door height is proper or not.
- Easy door installation and adjustment.

**SPECIFICATIONS**

Max.Door width	450mm
Max.Door height	2400mm
Min.Door thickness	28mm
Max.Door weight	15kg/door
Height adjustable range	3mm upward



**FOR YOUR SAFETY WORK AND OPERATION**

- |  |  |
|--|--|
|  | This symbol denotes prohibited action. |
|  | This symbol denotes what must be done. |

**! WARNING: If these warnings are not followed, it may result in death or serious injury.**

- ! This (sliding door system) should be installed by an experienced person who has correct knowledge. If the system is not installed correctly, the door will not operate smoothly, and or may cause injury.
- ! It is necessary to manufacture the frame with sufficient strength so it endures the weight of the door and impact shocks upon opening/closing the door. A frame with poor strength might result in improper and slower movement of the door. In the worst case, the door might drop down and cause injury.
- ⊘ Do not try to use this product for any other purposes other than originally intended for. Do not use the parts for applications that are out of specification.
- ⊘ Do not disassemble nor modify any parts than those described in this document.

**! Caution: If these cautions are not followed, it may result in injury or damage.**

- ! Make sure to follow the designated measurements and specifications as well as horizontal and verticals angles. Make sure that the frame is not warped, since it may affect the movement of the door.
- ! If cutting any parts, make sure to remove any burr before installation. Also check the upper rail for any left-over burr or scrap and remove these.
- ! This folding door system is a part for furniture fittings. After installation, make sure to test the finished product thoroughly to ensure that it is well-functioning and safe.
- ! Make sure to test the screws for slack at regular intervals (one month from first usage, half year and then one time every year is recommended).

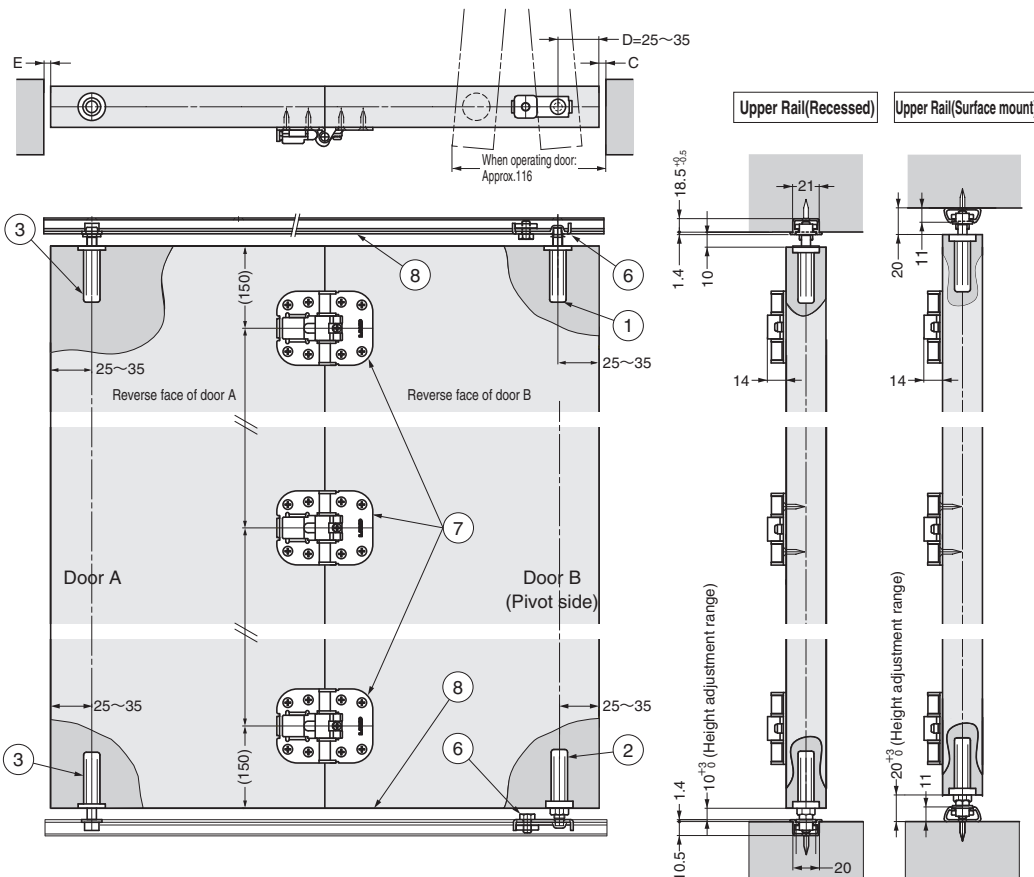
# COMPONENT PARTS

No.	①	②	③	④	⑤	⑥	⑦
Name	Upper pivot	Bottom pin	Guide pin	Pivot insert Jig	Spanner	Pivot Bracket	Center hinge (Surface mount, Angle adjustable)
Item No.	FD30-FTP	FD30-FBP	FD30-FGR	FD30-FUK	FD30-FSP	FD30-FSK	FD30-CHM
Item							 Accessory screw: Countersunk head tapping screw 3.5×16 ..... 8pcs
2 door lower rail hanging section fixed	1pc	1pc	2pcs	1pc	1pc	2pcs	3pcs
4 door lower rail hanging section fixed	2pcs	2pcs	4pcs	1pc	1pc	4pcs	6pcs

No	⑧	
Name	Guide rail (Surface mount)	Guide rail (Recessed mount)
Item No.	FD30-FBRM	FD30-FBRH
Item		
	910/3640mm	Hole pitch:300mm Pitch end :30mm
	Accessory screw:Countersunk head tapping screw 3.5×16	
2 door lower rail hanging section fixed	Use 2 (surface mount or recessed)	
4 door lower rail hanging section fixed	Use 2 (surface mount or recessed)	

# INSTALLATION DRAWING (EXAMPLE)

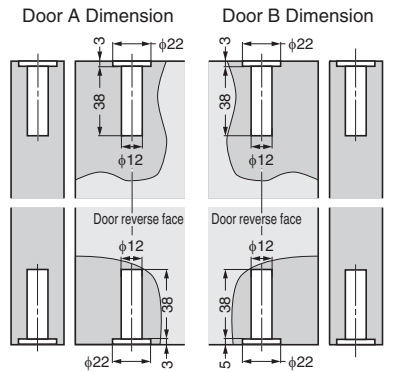
Door opening (when 40mm door thickness, 450mm door width)



## Minimum Dimension between Frame and Door

Door thickness	C = Gap	E = Gap			
		Door width 300	Door width 350	Door width 400	Door width 450
30	4.0	3.5	3.0	2.7	2.4
35	5.2	4.3	3.7	3.3	3.0
40	6.5	5.2	4.5	4.0	3.6

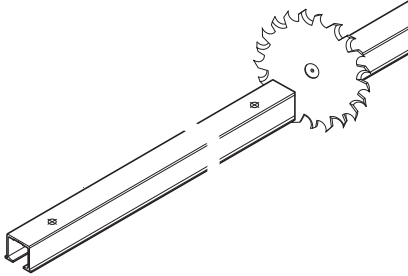
## DOOR PROCESS DIMENSION



## 1 PREPARATION AND INSTALLATION

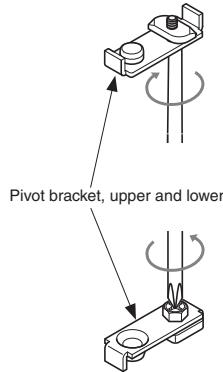
### 1. Cutting the rail

Cut the rail applying a reinforcer to prevent defotmation of cut section.



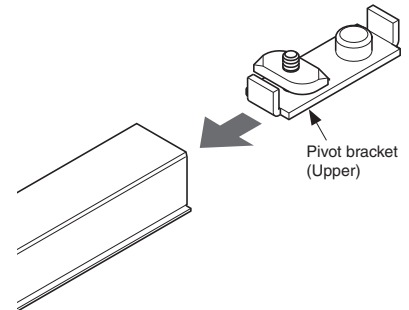
### 2. Preparation before mounting parts

Loosen fix screws on upper and lower Pivot brackets.



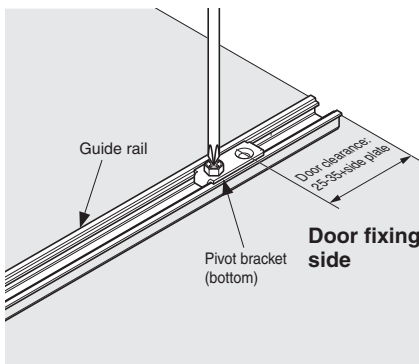
### 3. Assembly of parts

Taking care for parts direction, insert Pivot bracket(upper). Temporarily tighten the screw, mount the rail without dropping down mounted parts.



### 4. Installing Pivot bracket(bottom)

Taking care for installing direction, insert Pivot bracket. Mount lower guide rail. Fix Pivot bracket to correct position.

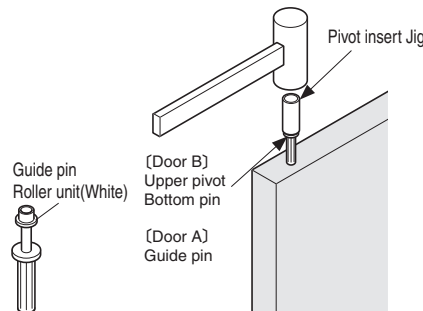


### 5. Striking in upper pivot and bottom pin and guide pin

Using a Pivot insert Jig, strike in the upper pivot to upper part of Door B. Strike in the Bottom pin to lower part of Door B.

Strike-in guide pin to the holes of upper section and lower section of the Door A.

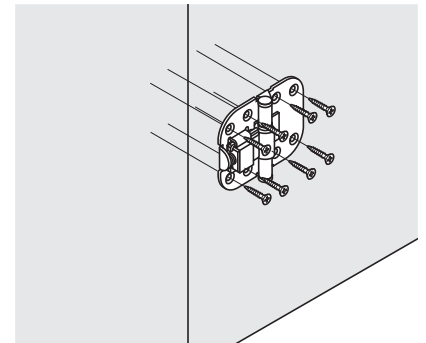
⚠ Carefully install to prevent breakage of plastic part.



### 6. Installing center hinge

Aligning two doors, fix center hinge with attached screws. Center of the hinge should be positioned at approximately 150mm from top of door as well as bottom of door. Please note that both hinges face same direction.

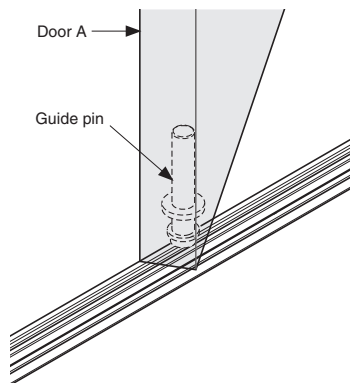
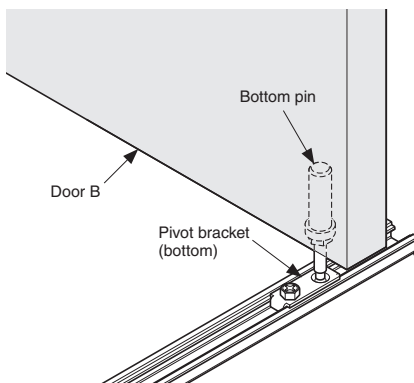
Remained hinge should be installed at middle of upper and lower hinges.



## 2 HANGING THE DOOR

### 1. Hanging door (Lower section of doors)

Place the end of lower pivot shaft to the hole of Pivot bracket (Door B), as shown. And, insert top of guide pin (Door A) to the guide rail groove.

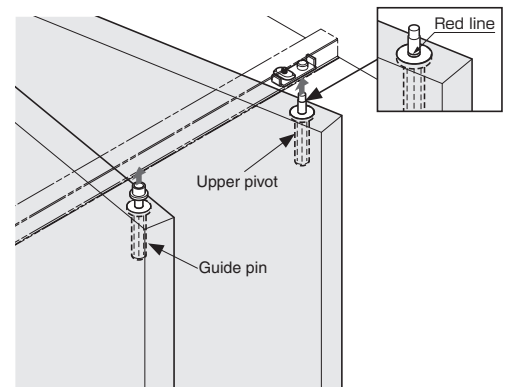


### 2. Hanging door (door top)

Pressing the pin of the Upper pivot on Door B insert it in the hole of Pivot bracket. Fit the guide pin on Door A into the rail.

Check if the red line on the pivot is hidden or not.

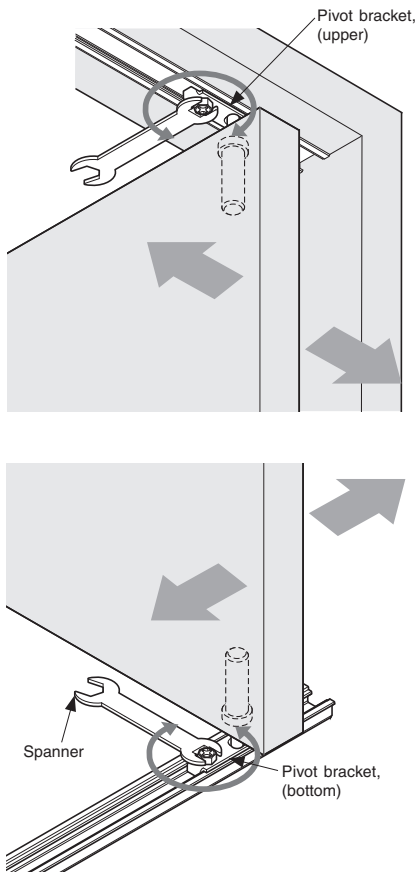
If it is visible, rotate the pivot on the bottom pin to raise the door.



### 3 DOOR ADJUSTMENT

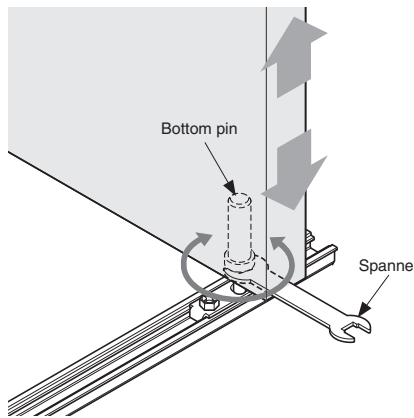
#### Adjusting inclination of door

Loosen fixing screws on Pivot brackets(upper and bottom). Then retighten all the screws.



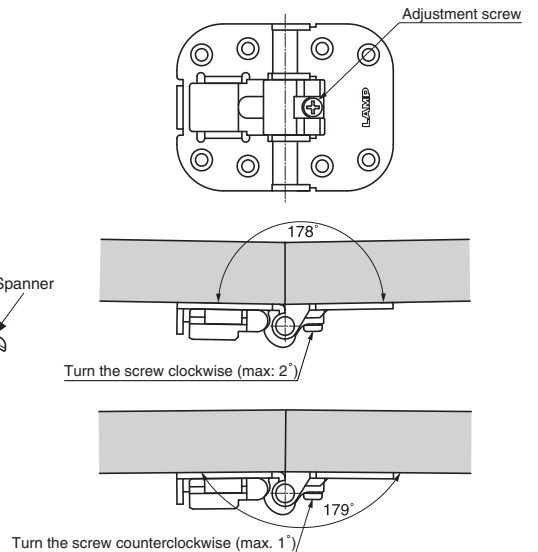
#### Door Height Adjustment

Adjust Bottom pin Hex. part, using attached spanner.



#### Adjusting center hinge pin

When door closing has trouble, turn adjustment screw to adjust center hinge pin.



**Final confirmation**...Confirm that all screws are securely tightened. And, confirm that all screws are used without mistake.

<b>PERIODICAL INSPECTION</b>	• Clean inside of rail.
	• Check upper space and lower space of the door. If necessary, correct the space.

## TROUBLESHOOTING

Trouble	Check	Solution
Abnormal noise during operation	Check if door touches adjacent parts.	Provide necessary space between door and adjacent objects.
	Check inside of upper rail for foreign matter or aluminum dust.	Remove dust or foreign matter.
	Check guide pins for aluminum dust.	Lower upper pivot at door top and top end of guide pin. Remove the door. Pull out the guide pin to remove dust or foreign materials.
	Check for loose screws retaining the upper rail.	Tighten the screw.
Heavy door operation	Door bottom touches the floor.	Confirm rail-mount-screws, lower and upper Pivot brackets mount screws, center hinge pin screws for looseness. Adjust height of door (floor-surface to door bottom to be 10 mm).In the case of Surface mount type- 20mm)
	Check if door touches adjacent parts.	Correct door position to avoid contact to other objects. Adjust position of Pivot brackets.
	Check if door is warped.	Use the door without warp.
Door does not move.	Check rail retaining screws for looseness.	Guide pin touches the screw. Retighten screws to free the guide runner.

**SUGATSUNE KOGYO CO.,LTD.**  
 Phone: +81 3 3866 2260  
 Fax : +81 3 3866 4447  
 E-mail: export@sugatsune.co.jp  
 Website: www.sugatsune-intl.com

**SUGATSUNE KOGYO (UK) LTD.**  
 Phone: +44 118 9272 955  
 Fax : +44 118 9272 871  
 E-mail: sales@sugatsune.co.uk  
 Website: www.sugatsune.co.uk

**SUGATSUNE AMERICA, INC.**  
 Phone: +1 310 329 6373  
 Fax : +1 310 329 0819  
 E-mail: sales@sugatsune.com  
 Website: www.sugatsune.com

**SUGATSUNE SHANGHAI CO., LTD.**  
 Phone: +86 21 3632 1858  
 Fax : +86 21 3632 1868  
 E-mail: lamp@sugatsune.com.cn  
 Website: www.sugatsune.com.cn