

LAMP® HT-G70 Door Stopper


Thank you for selecting our product. Before starting installation, please read this manual thoroughly to ensure correct installation.

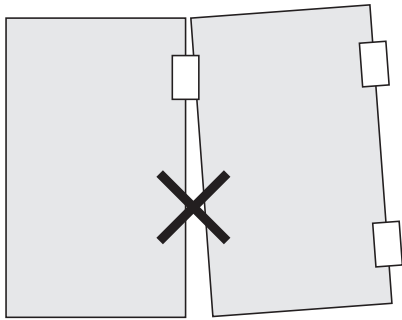
Please keep this manual at hand for future reference.


FOR YOUR SAFE WORK AND CORRECT INSTALLATION

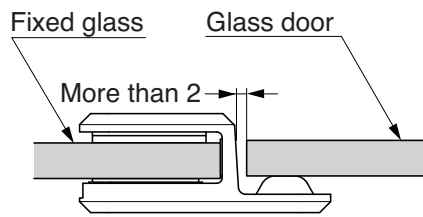
Meaning of symbols




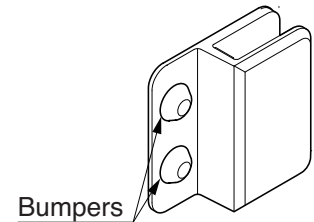
 **Caution** If these cautions are not followed, it may result in injury or damage.




 Door should not be inclined.



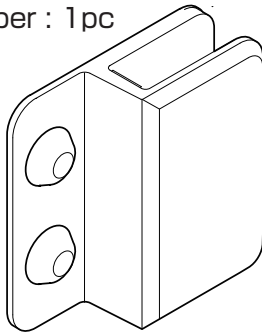
 Clearance between the stopper and door must be more than 2mm.



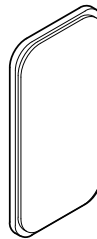
 Periodically check if bumpers are clean.

COMPONENT PARTS

① Stopper : 1 pc



② Retaining plate : 1 pc



③ Gasket : 2 pcs

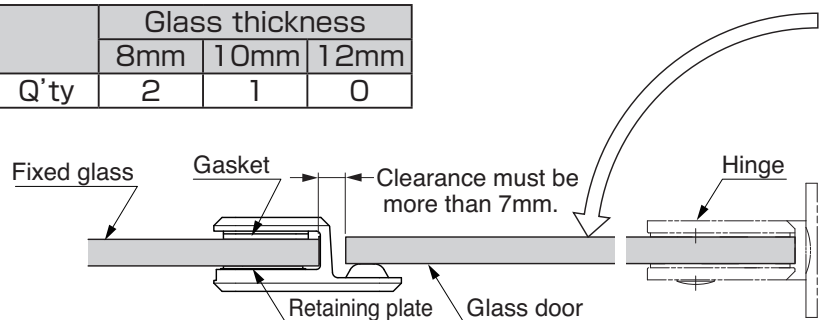
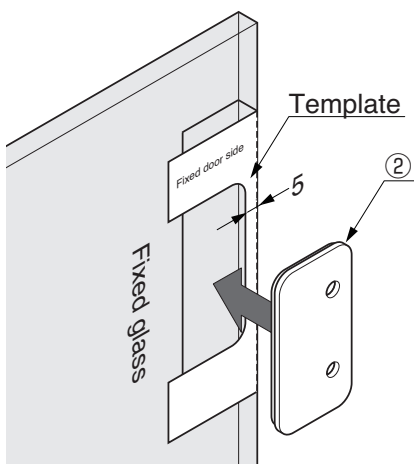


INSTALLATION

1. Using a template, confirm installation position. Then set rubber side of retaining plate ② to the fixed glass. Use required number of gaskets ③ in the stopper ① (refer below table).

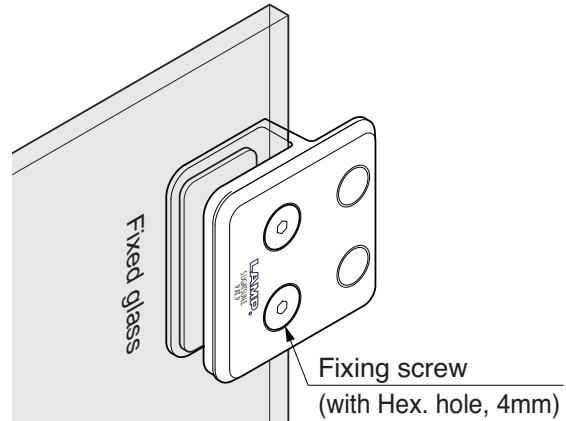
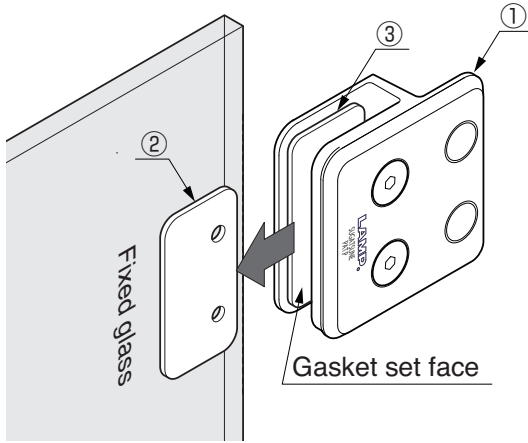
Quantity of gasket required

	Glass thickness		
	8mm	10mm	12mm
Q'ty	2	1	0



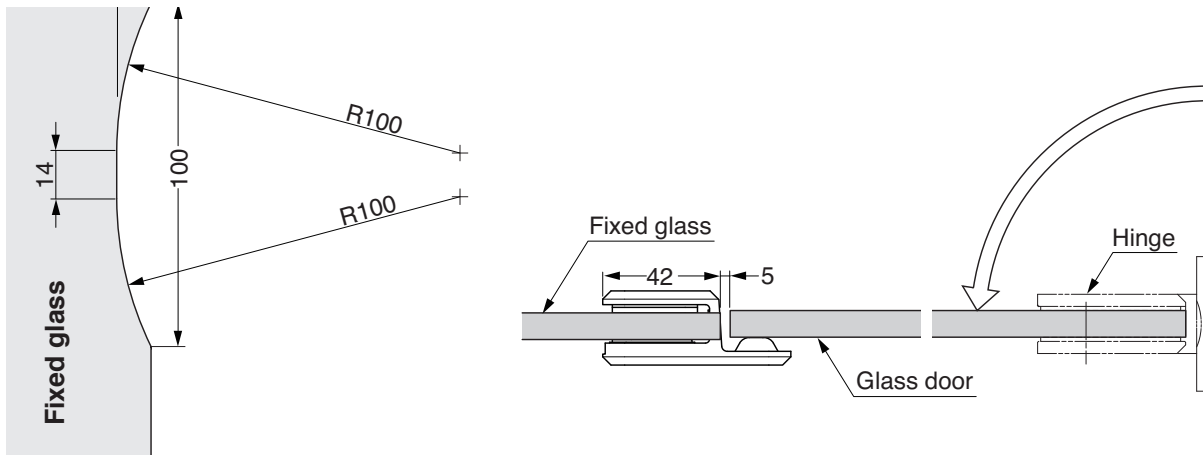
2. On the gasket set face, paste required quantity gasket ③. And, install stopper ①.

3. Tighten attached screws to tighten the stopper ①. Recommended torque: 1.5 N/m



■ In order to reduce the clearance between door and fixed glass with glass cutout.

Glass Process Drawing



SUGATSUNE KOGYO CO.,LTD.
 Phone: +81 3 3866 2260
 F a x : +81 3 3866 4447
 E-mail: export@sugatsune.co.jp
 Website: www.sugatsune-intl.com

SUGATSUNE KOGYO (UK) LTD.
 Phone: +44 118 9272 955
 F a x : +44 118 9272 871
 E-mail: sales@sugatsune.co.uk
 Website: www.sugatsune.co.uk

SUGATSUNE AMERICA, INC.
 Phone: +1 310 329 6373
 F a x : +1 310 329 0819
 E-mail: sales@sugatsune.com
 Website: www.sugatsune.com

SUGATSUNE SHANGHAI CO., LTD.
 Phone: +86 21 3632 1858
 F a x : +86 21 3632 1868
 E-mail: lamp@sugatsune.com.cn
 Website: www.sugatsune.com.cn

ISO9001(Japan Offices and Sugatsune America) and ISO14001(Chiba Production division and Logistics center), certified.

