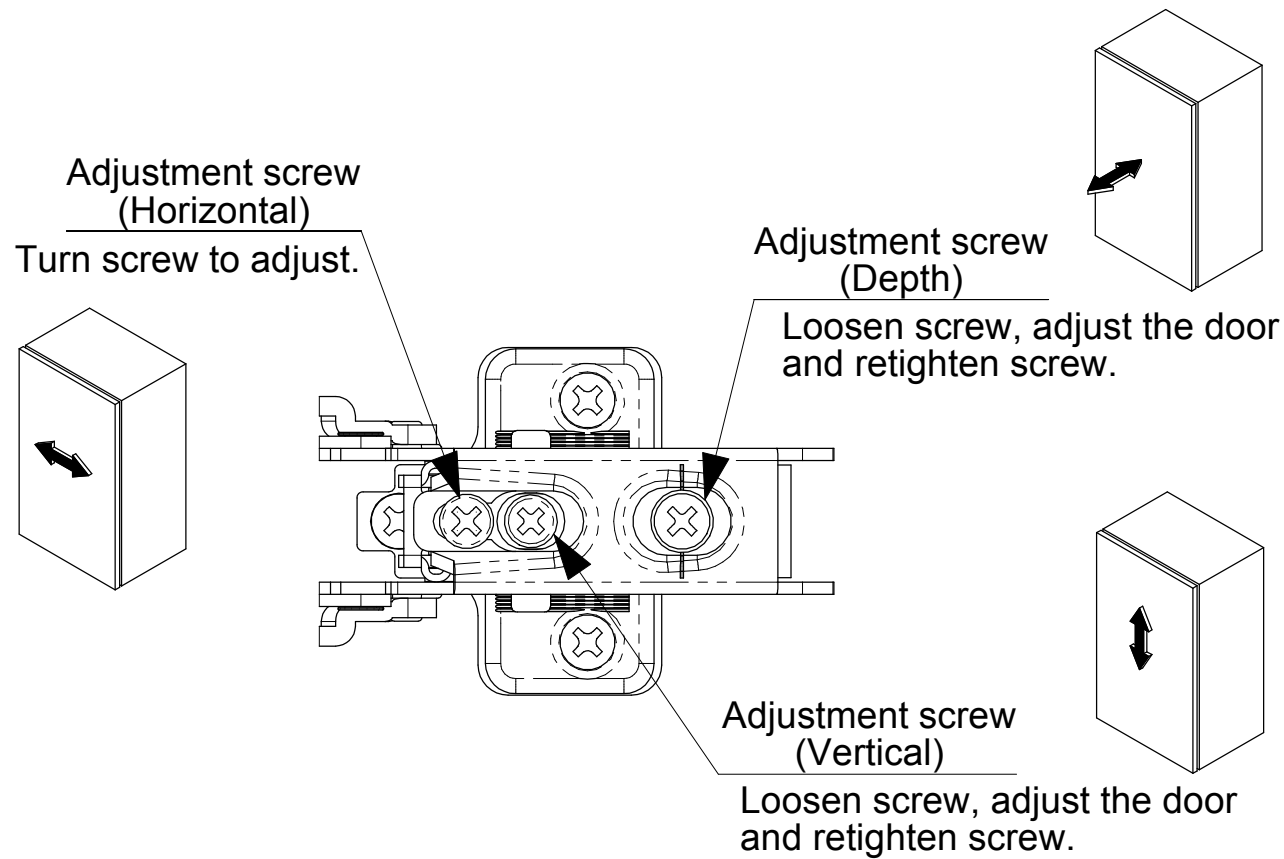
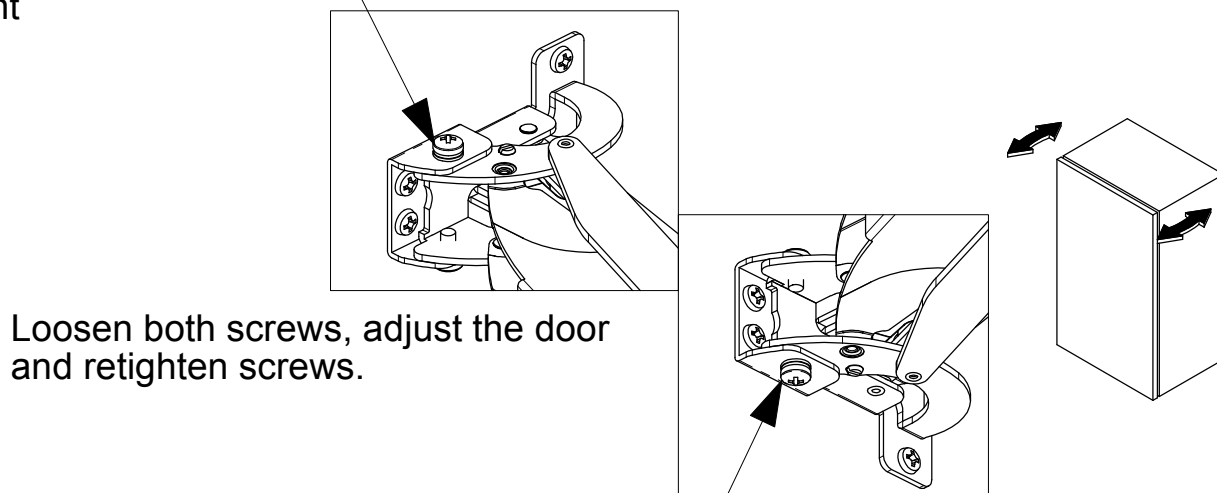


■ Adjustments



Leveling adjustment screw
Front



Leveling adjustment screw
Back

SUGATSUNE KOGYO CO.,LTD.
Phone : +81 (0)3 3866 2260
F a x : +81 (0)3 3866 4447
E-mail: export@sugatsune.co.jp
Website: www.sugatsune-intl.com

SUGATSUNE KOGYO (UK) LTD.
Phone : +44 (0)1491 680737
F a x : +44 (0)1491 680762
E-mail: sales@sugatsune.co.uk
Website: www.sugatsune.co.uk

SUGATSUNE AMERICA, INC.
Phone : +1 310 3296373
F a x : +1 310 3290819
E-mail: sales@sugatsune.com
Website: www.sugatsune.com

SUGATSUNE SHANGHAI CO., LTD.
Phone : +86 (0)21 3632 1858
F a x : +86 (0)21 3632 1868
E-mail: lamp@sugatsune.com.cn
Website: www.sugatsune.com.cn

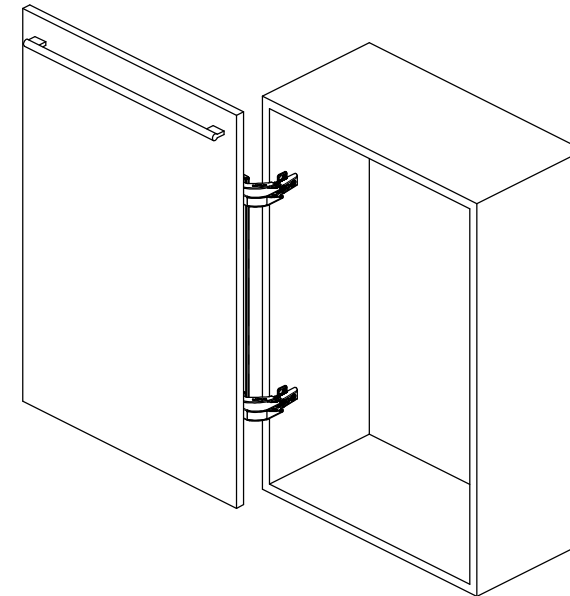
ISO9001(Japan offices only) and ISO14001(Chiba production division and Logistic center only) certified.

2010.01 PRINTED IN JAPAN 0462-1

Thank you for purchasing this MonoFlat LIN-X hinge by SUGATSUNE. Before proceeding with the installation, please read this instruction manual carefully for the best possible result and ensure your safety.

! WARNING

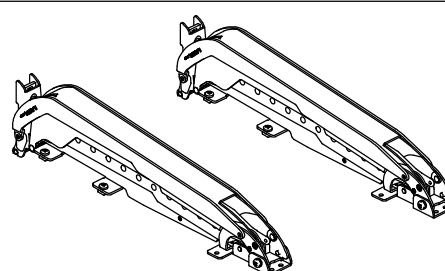
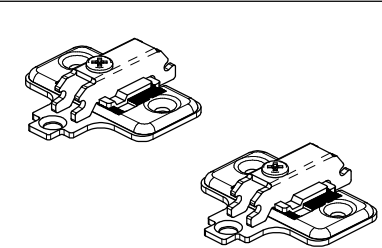
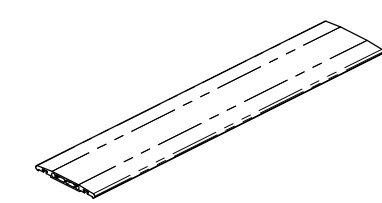
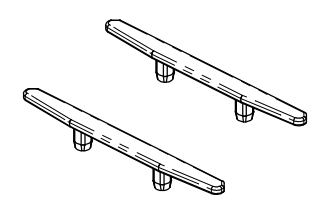
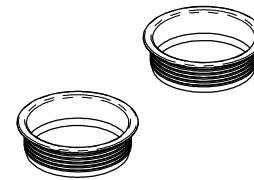
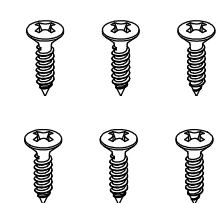
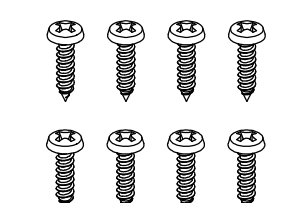
- Failure to observe the following precautions may result in injury and/or lead to damage to surrounding cabinets or fittings.
- Choose suitable screws to ensure of proper installation of the cabinet and door.
- Ensure that door size, weight and material correspond to the specifications stated in this manual.
- Do not disassemble or modify the system.



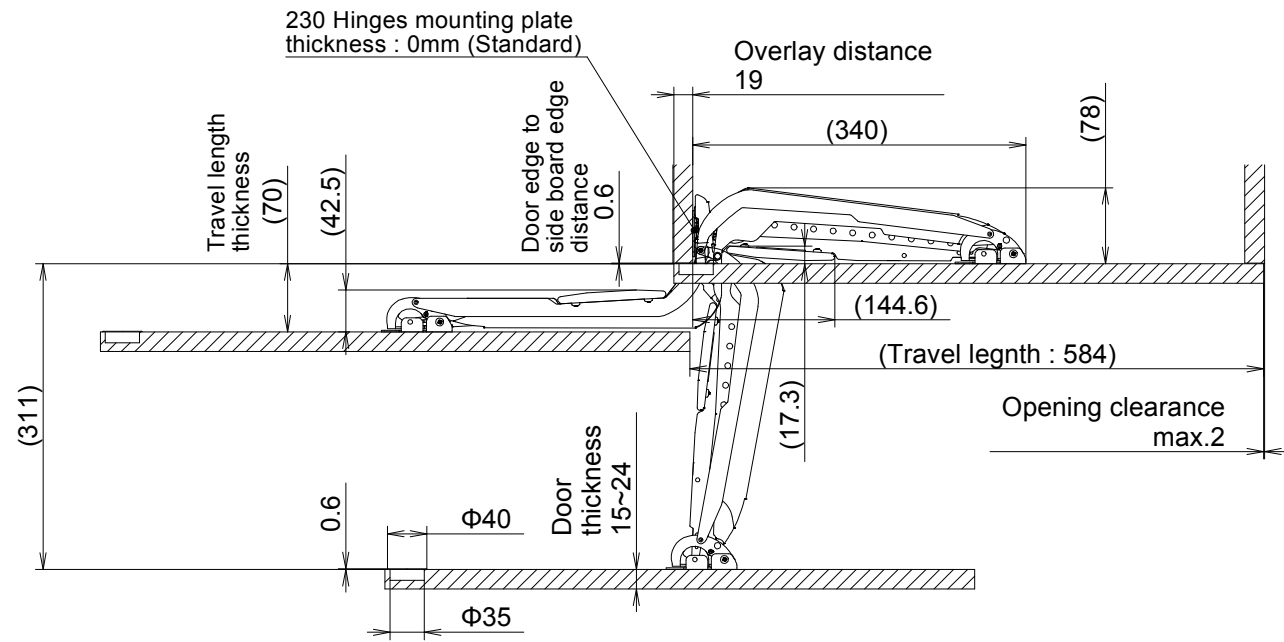
■ Product Specification

Door width	550~650 mm
Door height	600~900 mm
Door thickness	15~24 mm
Door weight	MAX 9 kg (per door)

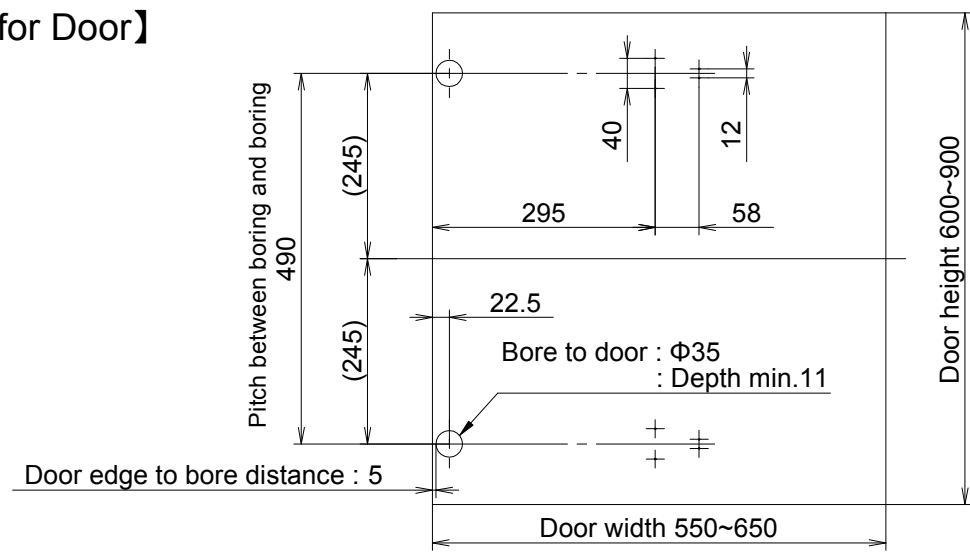
■ Parts List

① LIN-X body 2 pcs. 	② Mounting plate 2 pcs. 	③ Connecting plate 1 pc. L=540mm 
④ Connecting plate cover 2 pcs. 	⑤ Cup cover 2 pcs. 	⑥ Countersunk head tapping screw 3.5x15 6 pcs. 
		⑦ Binding & tapping screw 3.5x15 8 pcs. 

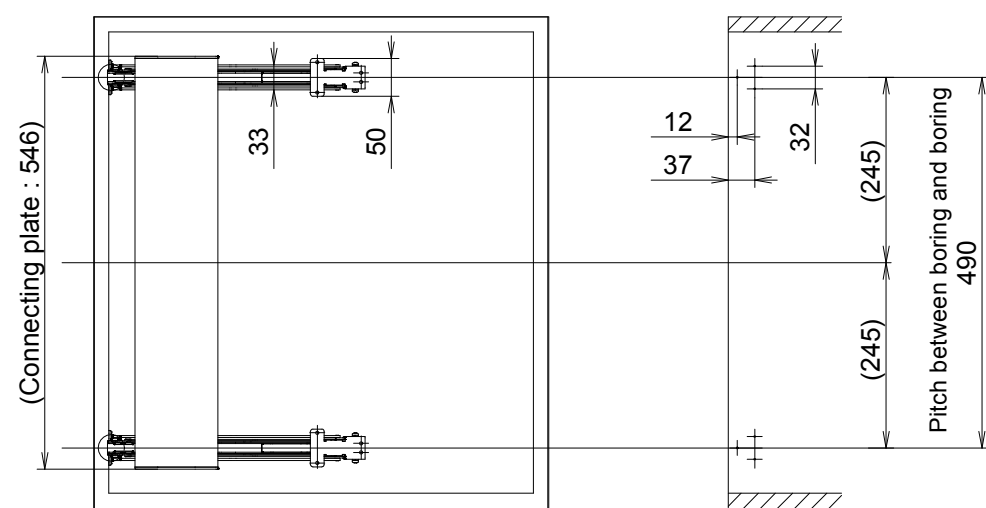
● Picture shows the left hand door use. (Right hand door use is symmetrical.) [unit:mm]



【Installation position for Door】

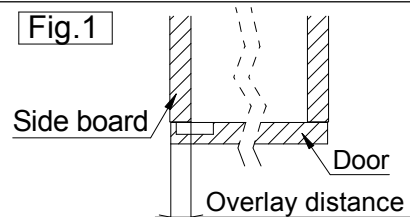


【Installation position of mounting plate for cabinet side board】



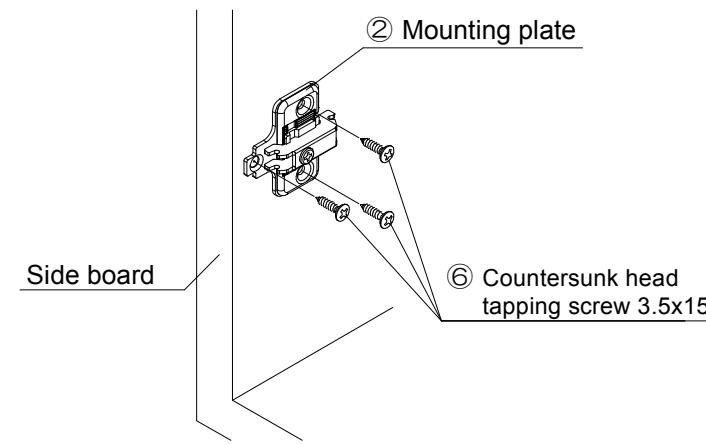
● Side overlay as shown in Fig.1 is:

- 19 mm for 230 Hinges mounting plate thickness : 0 mm (Standard)
- 14 mm for 230 Hinges mounting plate thickness : 5 mm

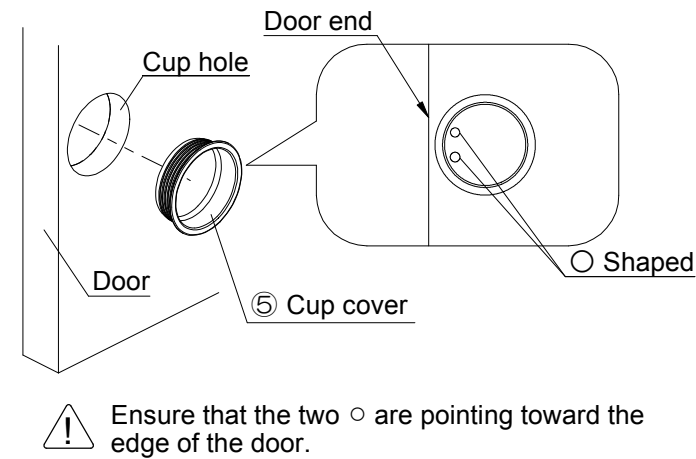


■ Installation

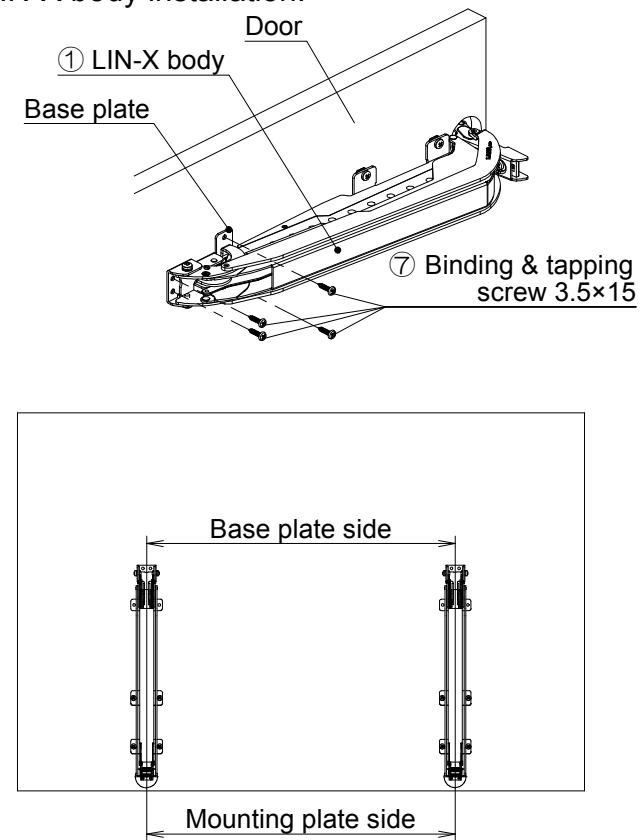
1 Mounting plate installation:



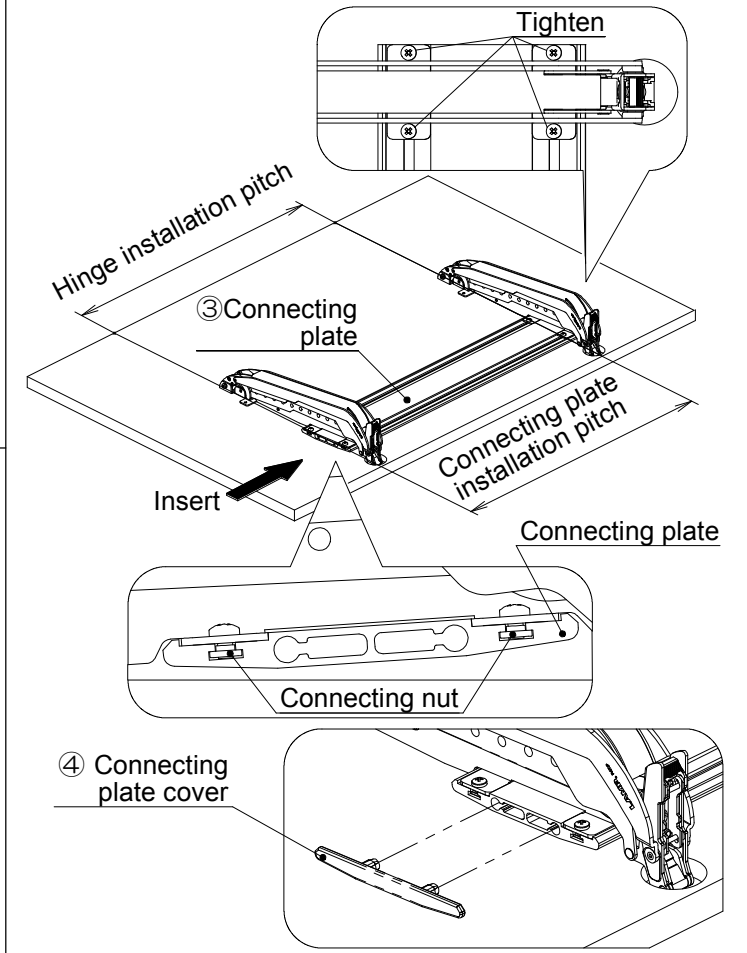
2 Cup cover installation:



3 LIN-X body installation:



4 Connecting plate installation:



5 Door installation:

